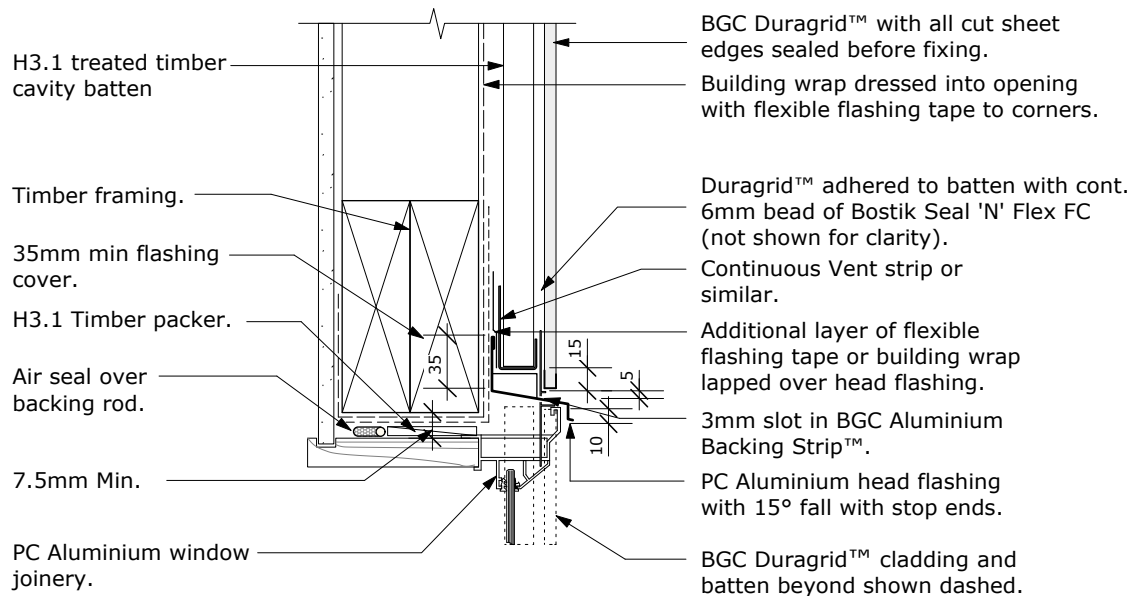


Cavity Batten Note:

Refer to cavity batten layout for batten sizes, types, spacings & fixings.



Note. Where DurabARRIER™ is used flashing tape must be applied to the entire opening

PROFILE **BGC Duragrid™**

DATE Nov 2011

DETAIL **Socket Joint Detail at Window Head**

SCALE 1:5 @ A4

DETAIL NO. **D 26**