

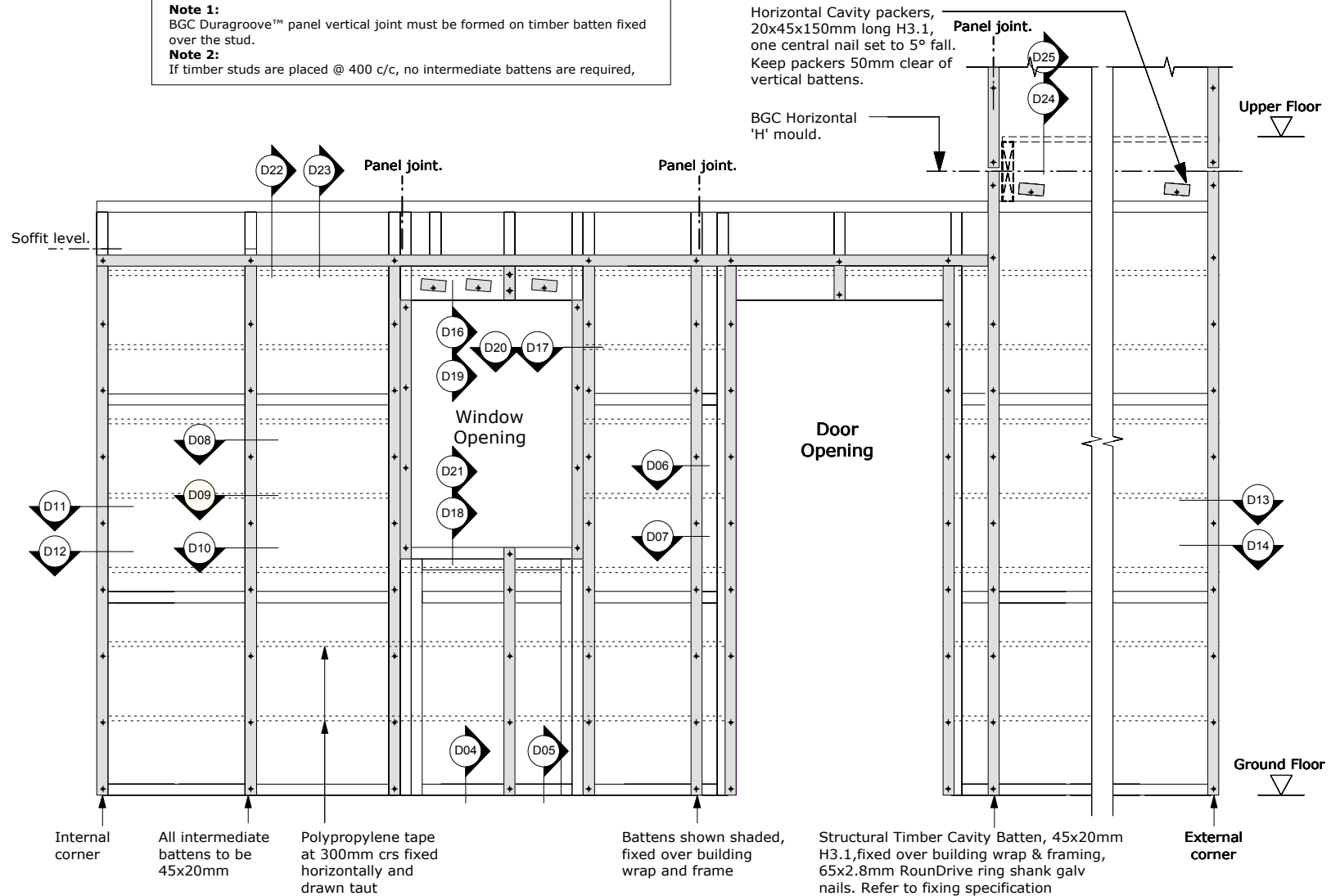
BGC

Fibre Cement

Note 1:
BGC Duragroove™ panel vertical joint must be formed on timber batten fixed over the stud.
Note 2:
If timber studs are placed @ 400 c/c, no intermediate battens are required,

Horizontal Cavity packers, 20x45x150mm long H3.1, one central nail set to 5° fall. Keep packers 50mm clear of vertical battens.

BGC Horizontal 'H' mould.



Internal corner

All intermediate battens to be 45x20mm

Polypropylene tape at 300mm crs fixed horizontally and drawn taut

Battens shown shaded, fixed over building wrap and frame

Structural Timber Cavity Batten, 45x20mm H3.1, fixed over building wrap & framing, 65x2.8mm RoundDrive ring shank galv nails. Refer to fixing specification

External corner

PROFILE BGC Duragroove™

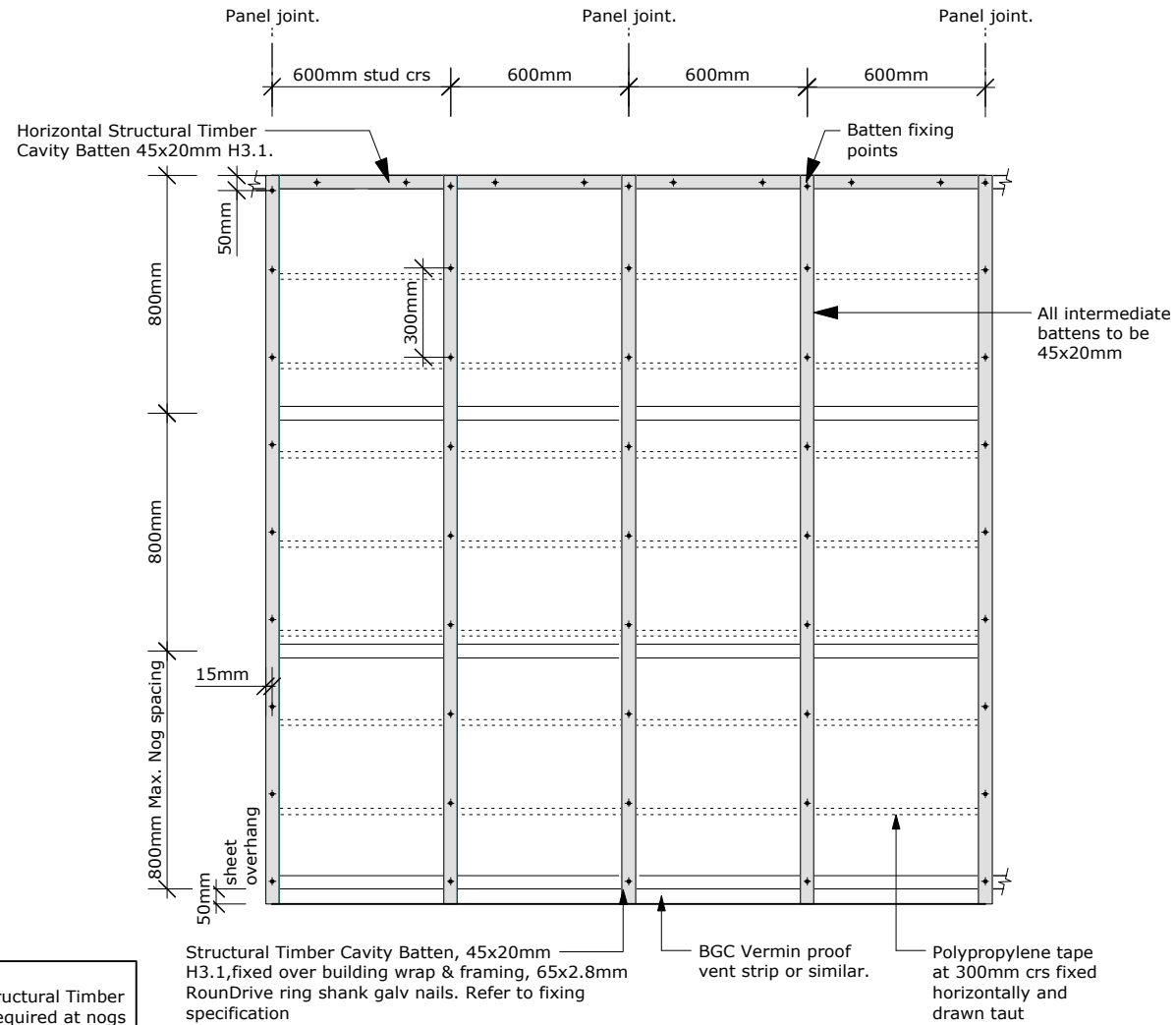
DETAIL Framing Setout

DATE Nov 2011
SCALE 1:25 @ A4

DETAIL NO. D00

BGC

Fibre Cement



BGC Duragroove™ Batten Fixing Setout

PROFILE BGC Duragroove™

DATE Nov 2011

DETAIL Batten Fixing Setout

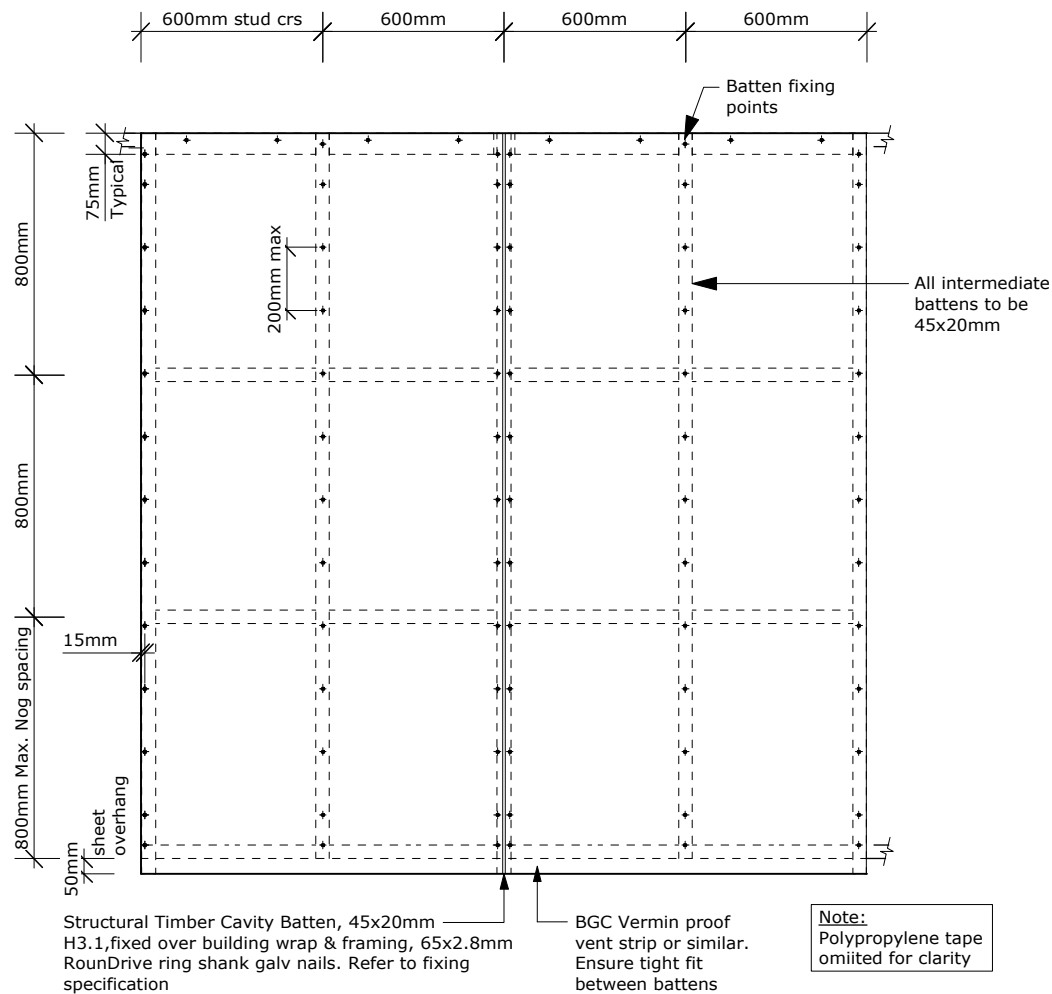
SCALE 1:25 @ A4

DETAIL NO. D01

BGC

Fibre Cement

Note 1:
Cavity: BGC Duragroove™ sheet fixed with 25mm Stainless Steel Brad at 150mm centre's.



PROFILE BGC Duragroove™

DETAIL Cavity Fixing Set out

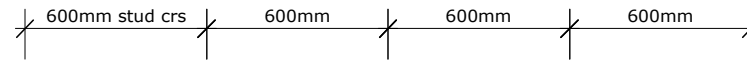
DATE Nov 2011

SCALE 1:25 @ A4

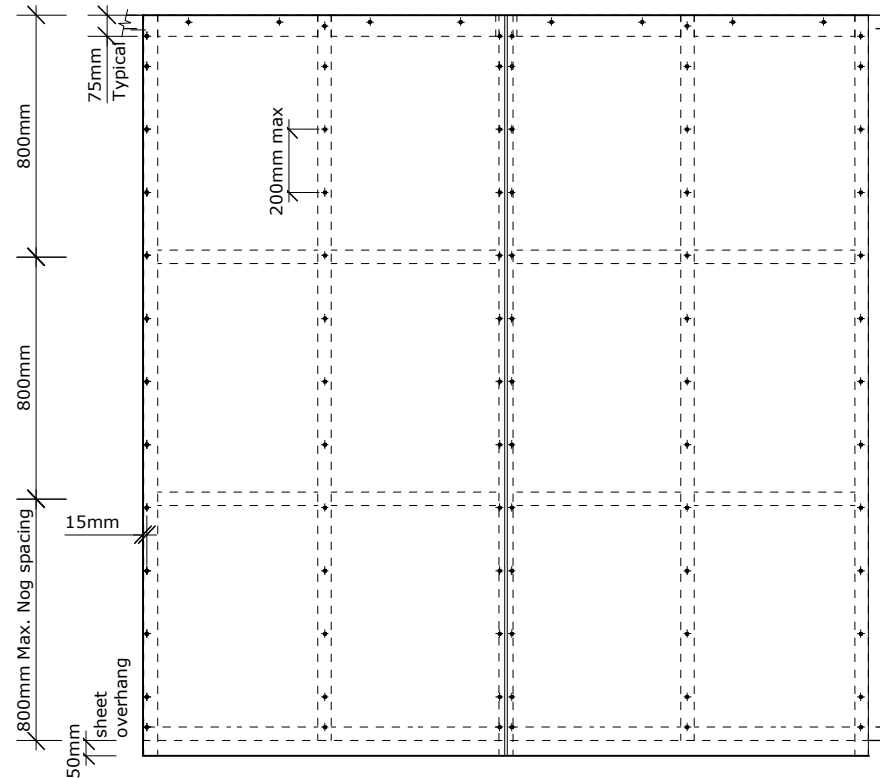
DETAIL NO. D02

BGC

Fibre Cement



Note 1:
Direct Fix: BGC Duragroove™ sheet fixed with 40x2.8mm Fibre Cement Nail at 200mm centre's up to very highwind zone or ND50 Stainless Steel Brad at 150mm centre's for low wind zone and 100mm centre's for medium wind zone and 75mm centre's for high wind zone.



PROFILE BGC Duragroove™

DATE Nov 2011

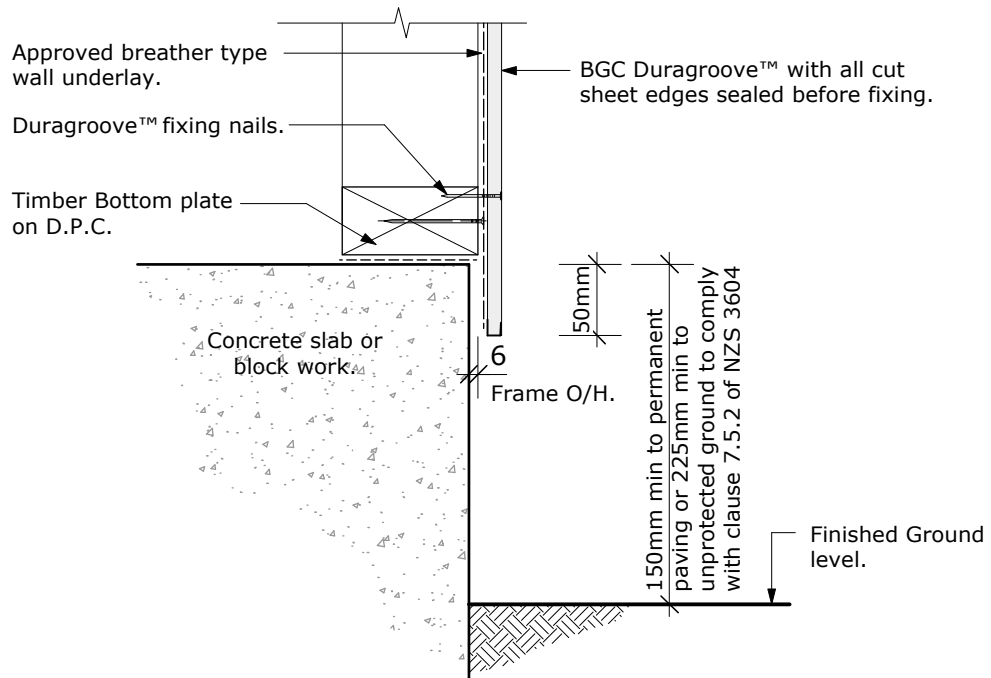
DETAIL Direct Fixed Fixing Sheet Set out

SCALE 1:25 @ A4

DETAIL NO. D03

BGC

Fibre Cement



PROFILE BGC Duragroove™

DATE Nov 2011

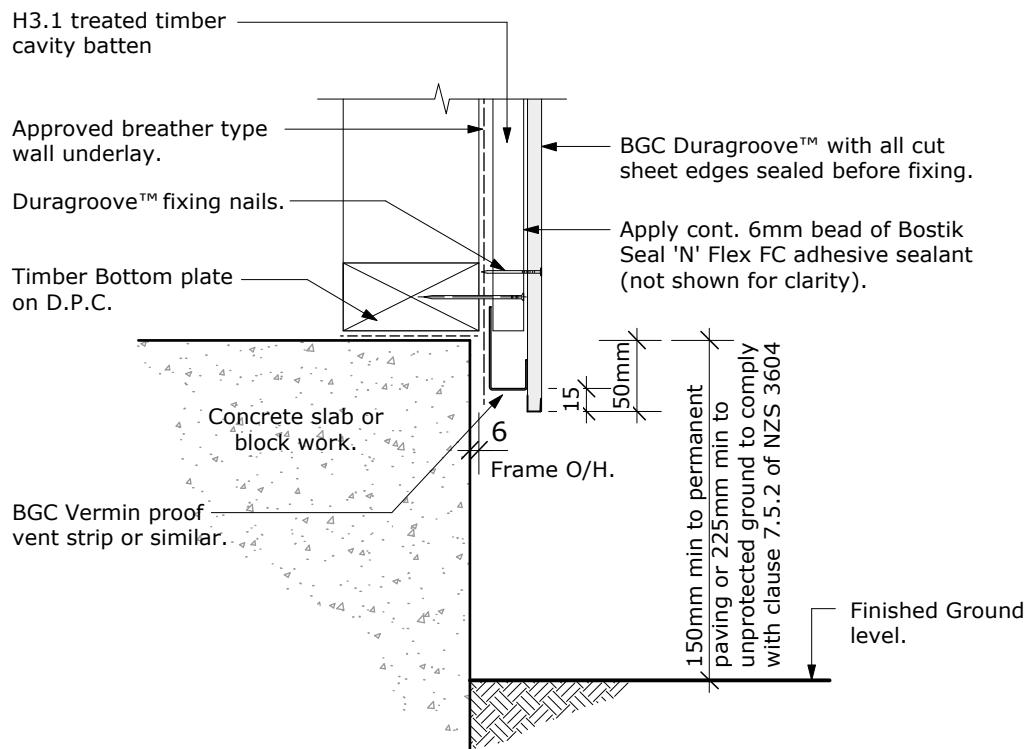
DETAIL Foundation Detail Direct Fix

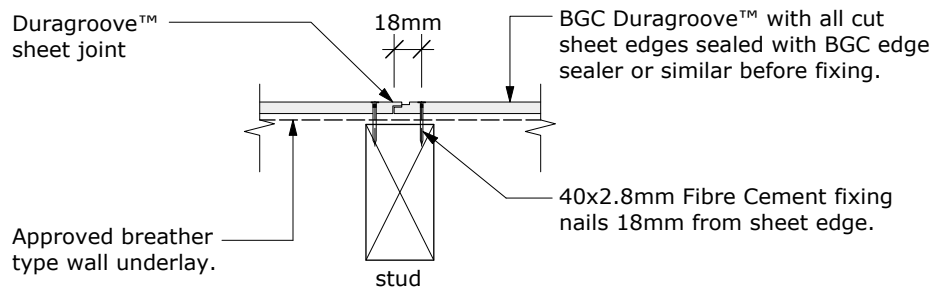
SCALE 1:5 @ A4

DETAIL NO. D 04

Cavity Batten Note:

Refer to cavity batten layout for batten sizes, types, spacings & fixings.

PROFILE **BGC Duragroove™**DATE **Nov 2011**DETAIL **Foundation Detail On Cavity**SCALE **1:5 @ A4**DETAIL NO. **D 05**

BGC**Fibre Cement**PROFILE **BGC Duragroove™**

DATE Nov 2011

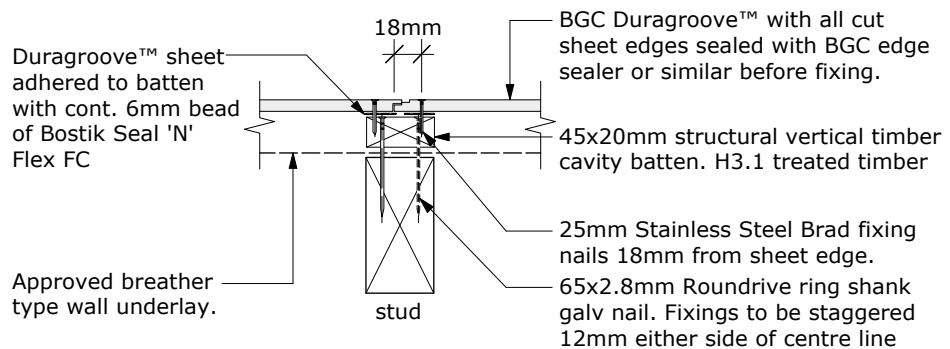
DETAIL **Vertical Shiplap Joint - Direct Fix**

SCALE 1:5 @ A4

DETAIL NO. **D 06**

Cavity Batten Note:

Refer to cavity batten layout for batten sizes, types, spacings & fixings.



PROFILE **BGC Duragroove™**

DATE Nov 2011

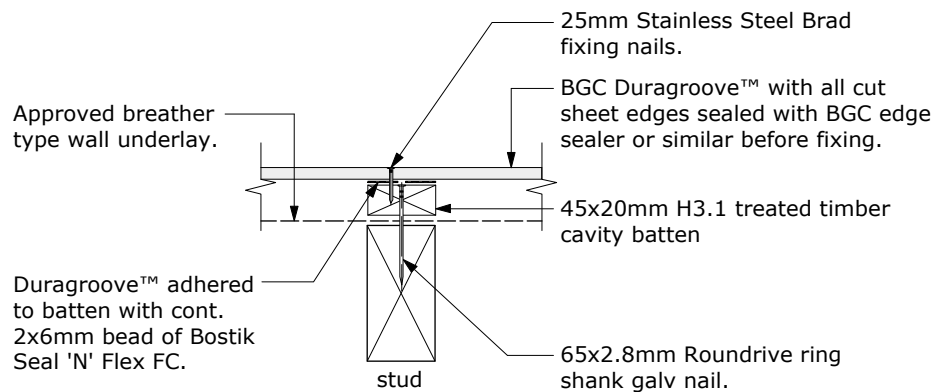
DETAIL **Vertical Shiplap Joint - Cavity**

SCALE 1:5 @ A4

DETAIL NO. **D 07**

Cavity Batten Note:

Refer to cavity batten layout for batten sizes, types, spacings & fixings.



PROFILE **BGC Duragroove™**

DATE Nov 2011

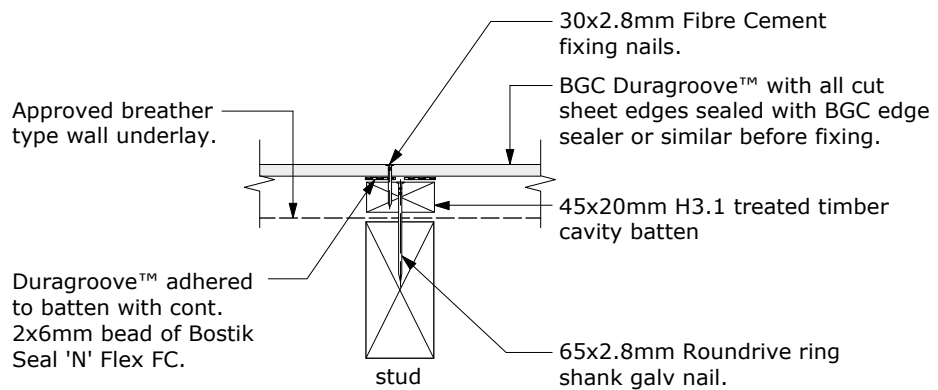
DETAIL **Intermediate Stud fixing - Brad fixing**

SCALE 1:5 @ A4

DETAIL NO. **D 08**

Cavity Batten Note:

Refer to cavity batten layout for batten sizes, types, spacings & fixings.



PROFILE **BGC Duragroove™**

DETAIL **Intermediate Stud fixing - Nail fixing**

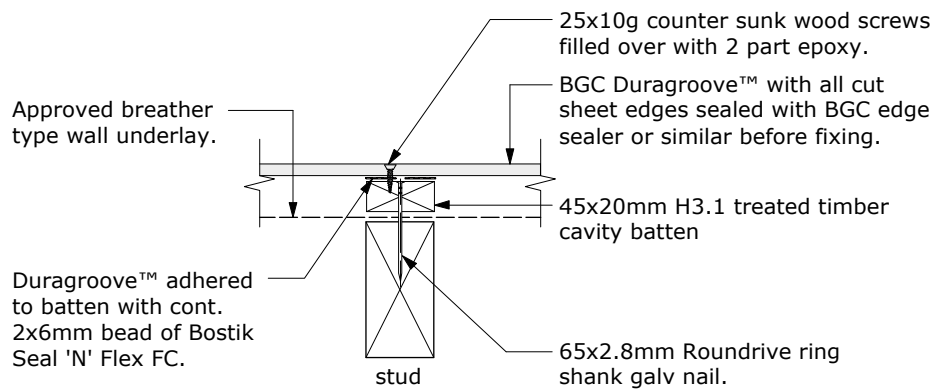
DATE **Nov 2011**

SCALE **1:5 @ A4**

DETAIL NO. **D 09**

Cavity Batten Note:

Refer to cavity batten layout for batten sizes, types, spacings & fixings.



PROFILE **BGC Duragroove™**

DATE Nov 2011

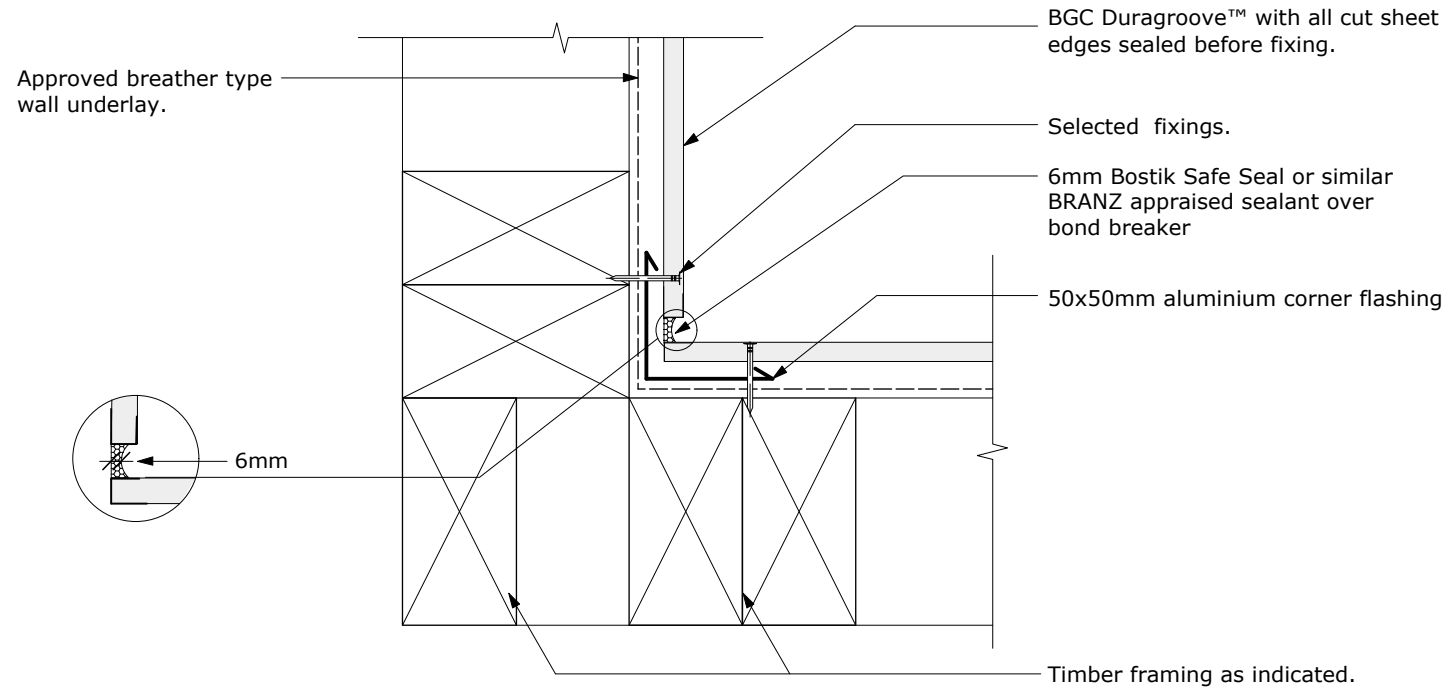
DETAIL **Intermediate Stud fixing - Screw fixing**

SCALE 1:5 @ A4

DETAIL NO. **D 10**

BGC

Fibre Cement



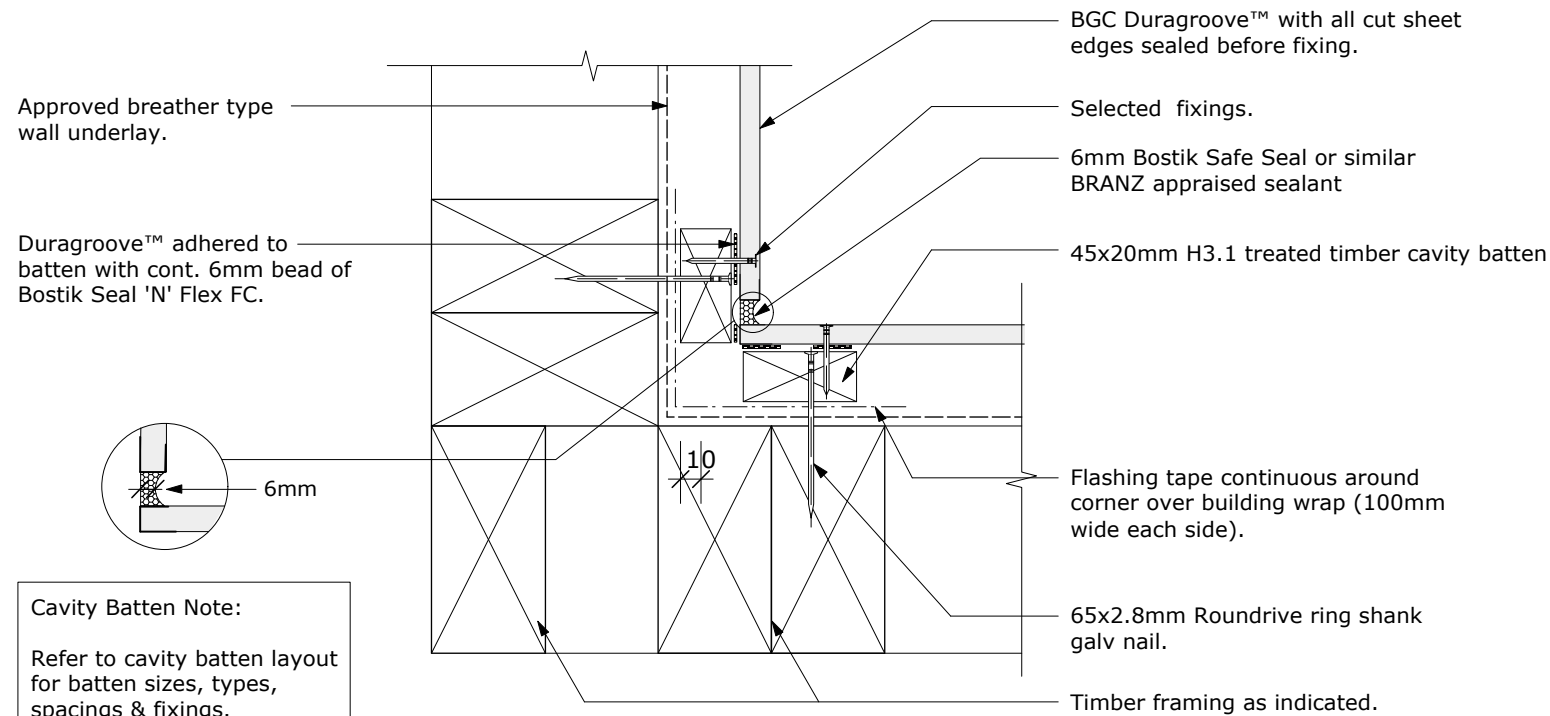
PROFILE BGC Duragroove™

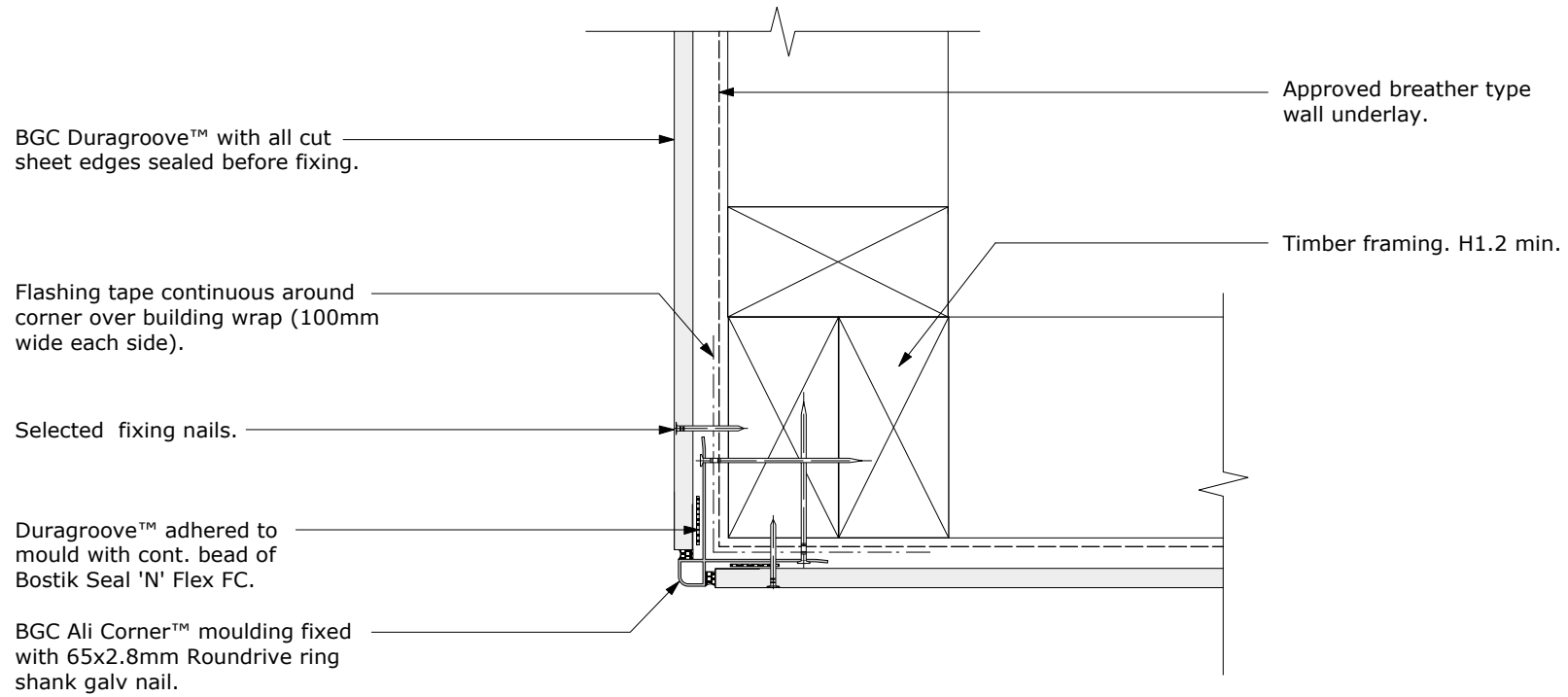
DATE Nov 2011

DETAIL Internal Corner - Direct Fix

SCALE 1:3 @ A4

DETAIL NO. D 11

BGC**Fibre Cement**PROFILE **BGC Duragroove™**DATE **Nov 2011**DETAIL **Internal Corner - on Cavity**SCALE **1:3 @ A4**DETAIL NO. **D 12**

BGC**Fibre Cement**PROFILE **BGC Duragroove™**DATE **Nov 2011**DETAIL **External Corner - Direct Fix**SCALE **1:3 @ A4**DETAIL NO. **D 13**

BGC

Fibre Cement

Cavity Batten Note:

Refer to cavity batten layout for batten sizes, types, spacings & fixings.

BGC Duragroove™ with all cut sheet edges sealed before fixing.

Flashing tape continuous around corner over building wrap (100mm wide each side).

45x20mm H3.1 treated timber cavity batten

Duragroove™ adhered to mould with cont. bead of Bostik Seal 'N' Flex FC.

BGC Ali Corner™ moulding fixed with 65x2.8mm Roundrive ring shank galv nail.

Approved breather type wall underlay.

Timber framing. H1.2 min.

Selected fixing nails.

PROFILE BGC Duragroove™

DETAIL External Corner - on Cavity

DATE Nov 2011

SCALE 1:3 @ A4

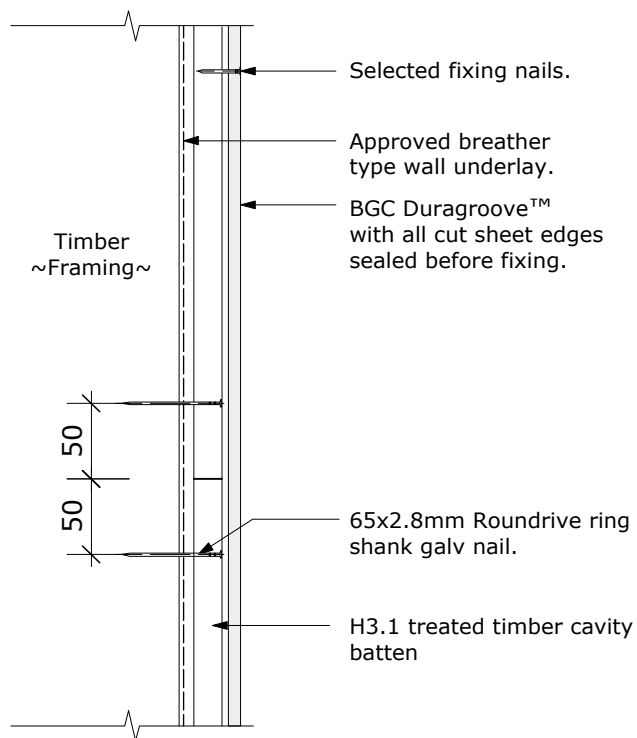
DETAIL NO. D 14

BGC

Fibre Cement

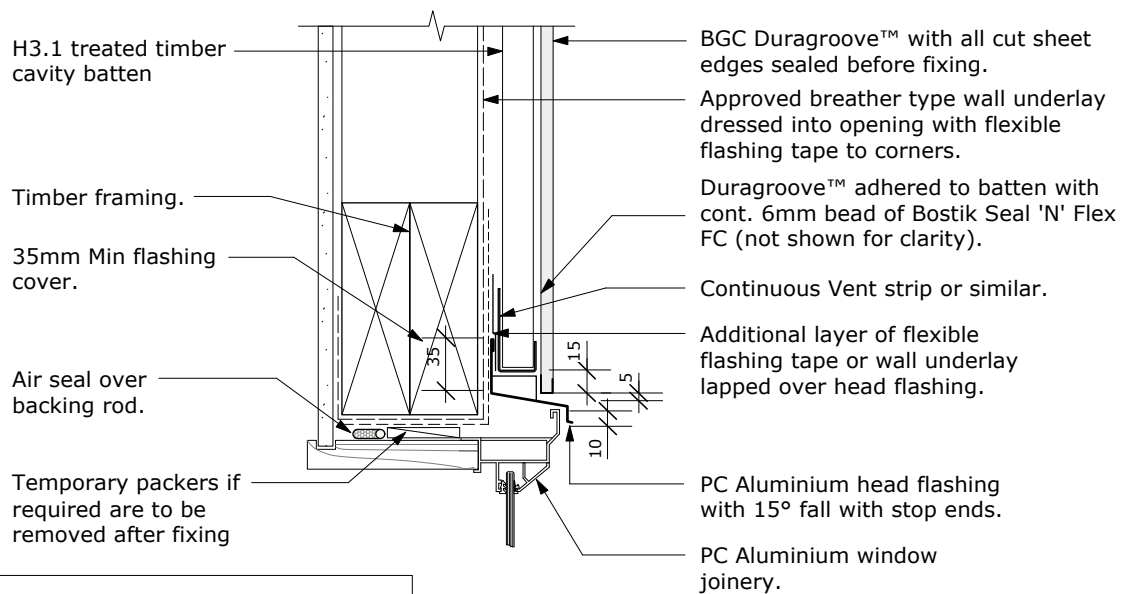
Cavity Batten Note:

Refer to cavity batten layout for batten sizes, types, spacings & fixings.

PROFILE **BGC Duragroove™**DATE **Nov 2011**DETAIL **Joining of Structural Batten**SCALE **1:5 @ A4**DETAIL NO. **D 15**

Cavity Batten Note:

Refer to cavity batten layout for batten sizes, types, spacings & fixings.



Note. Where Durabarrier™ is used flashing tape must be applied to the entire opening

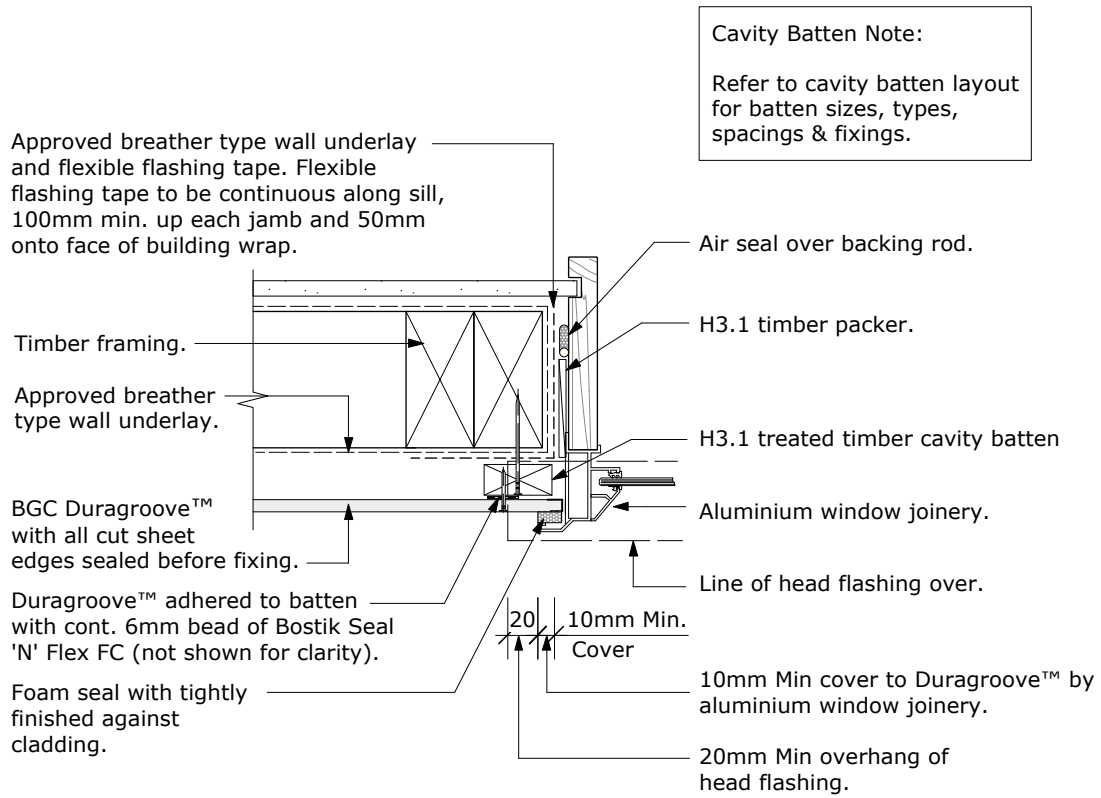
PROFILE **BGC Duragroove™**

DATE Nov 2011

DETAIL **Window Head on Cavity**

SCALE 1:5 @ A4

DETAIL NO. **D 16**



Cavity Batten Note:
Refer to cavity batten layout for batten sizes, types, spacings & fixings.

Note. Where Durabarrier™ is used flashing tape must be applied to the entire opening

PROFILE **BGC Duragroove™**

DATE **Nov 2011**

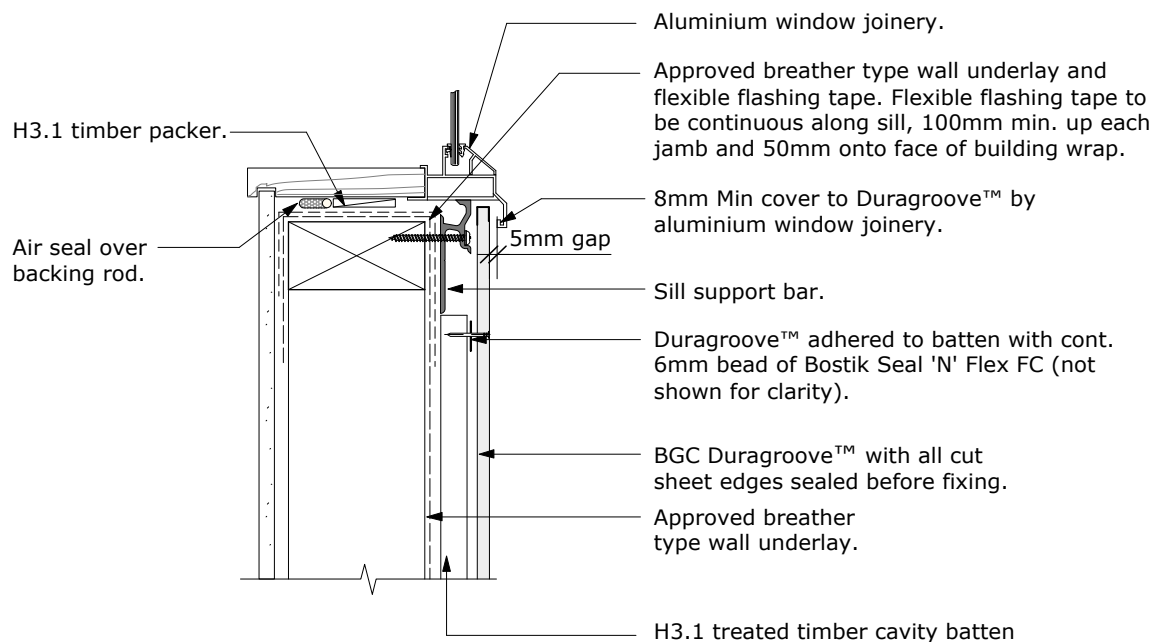
DETAIL **Window Jamb on Cavity**

SCALE **1:5 @ A4**

DETAIL NO. **D 17**

Cavity Batten Note:

Refer to cavity batten layout for batten sizes, types, spacings & fixings.



Note. Where DurabARRIER™ is used flashing tape must be applied to the entire opening

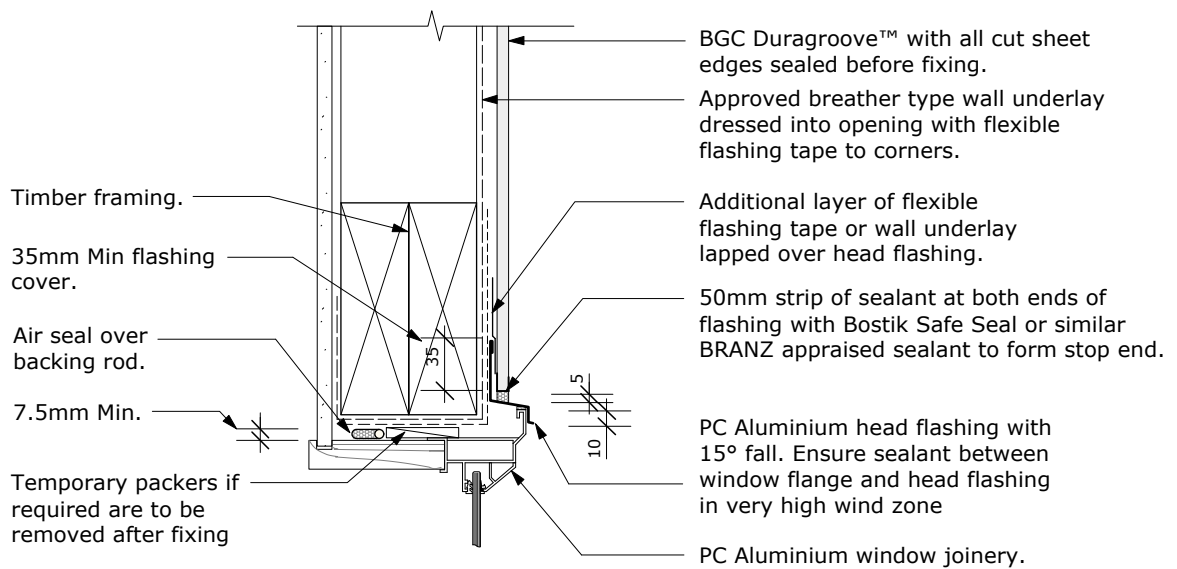
PROFILE **BGC Duragroove™**

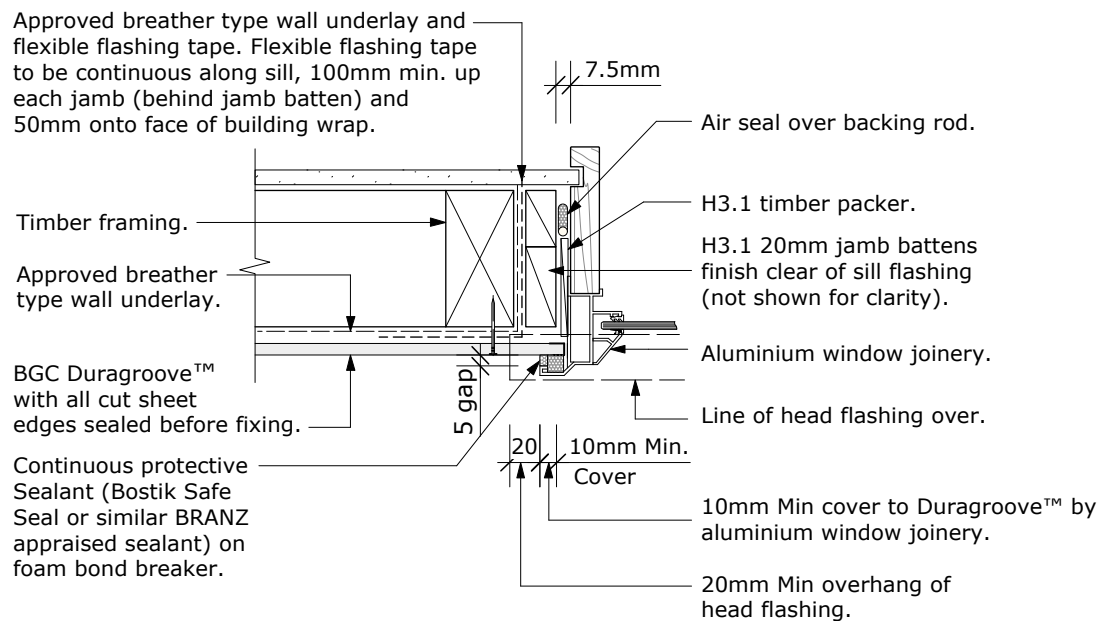
DATE Nov 2011

DETAIL **Window Sill on Cavity**

SCALE 1:5 @ A4

DETAIL NO. **D 18**

BGC**Fibre Cement**PROFILE **BGC Duragroove™**DATE **Nov 2011**DETAIL **Window Head Direct Fix**SCALE **1:5 @ A4**DETAIL NO. **D 19**



PROFILE **BGC Duragroove™**

DATE Nov 2011

DETAIL **Window Jamb Direct Fix**

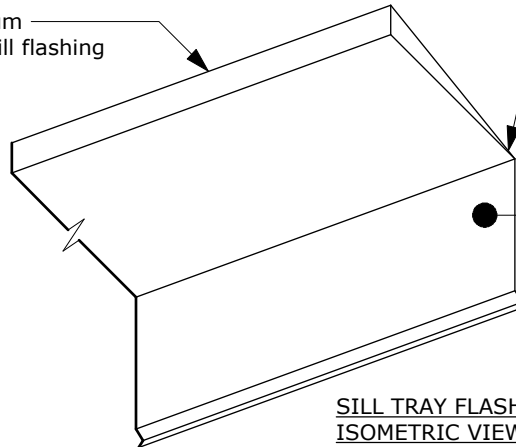
SCALE 1:5 @ A4

DETAIL NO. **D 20**

BGC

Fibre Cement

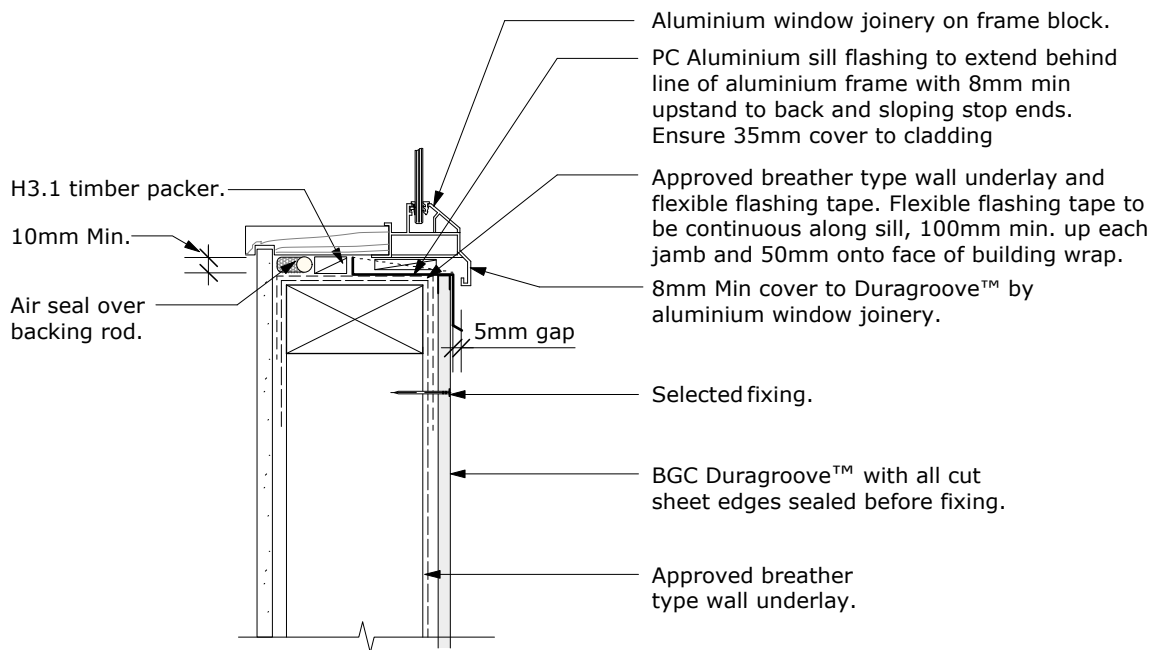
Ensure 8mm minimum upstand to back of sill flashing



Extend sill flashing through slot in cladding (not shown for clarity)

Flat sill tray flashing, minimum of full width of opening. Ensure flat sill tray does not slope backwards

SILL TRAY FLASHING
ISOMETRIC VIEW



Aluminium window joinery on frame block.

PC Aluminium sill flashing to extend behind line of aluminium frame with 8mm min upstand to back and sloping stop ends. Ensure 35mm cover to cladding

Approved breather type wall underlay and flexible flashing tape. Flexible flashing tape to be continuous along sill, 100mm min. up each jamb and 50mm onto face of building wrap.

8mm Min cover to Duragroove™ by aluminium window joinery.

Selected fixing.

BGC Duragroove™ with all cut sheet edges sealed before fixing.

Approved breather type wall underlay.

H3.1 timber packer.

10mm Min.

Air seal over backing rod.

5mm gap

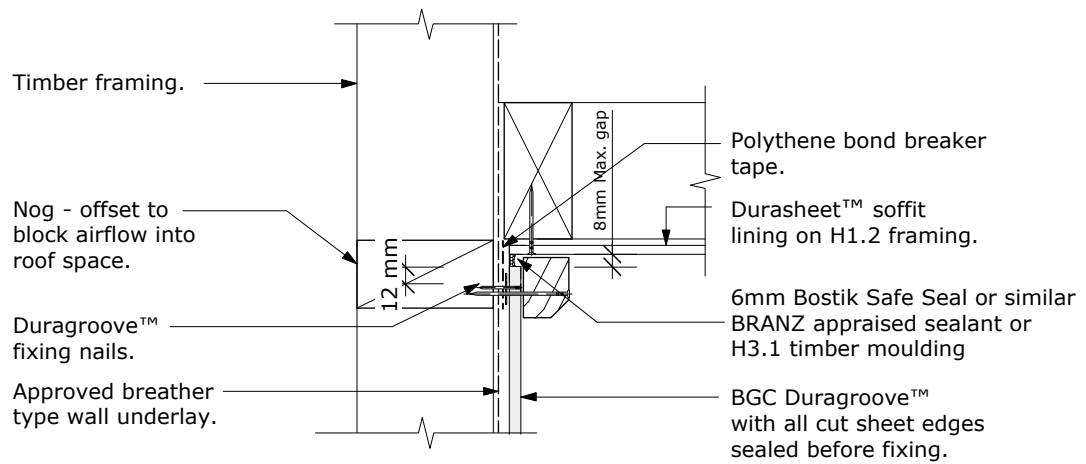
PROFILE **BGC Duragroove™**

DETAIL **Window Sill Direct Fix**

DATE **Nov 2011**

SCALE **1:5 @ A4**

DETAIL NO. **D 21**



PROFILE **BGC Duragroove™**

DATE Nov 2011

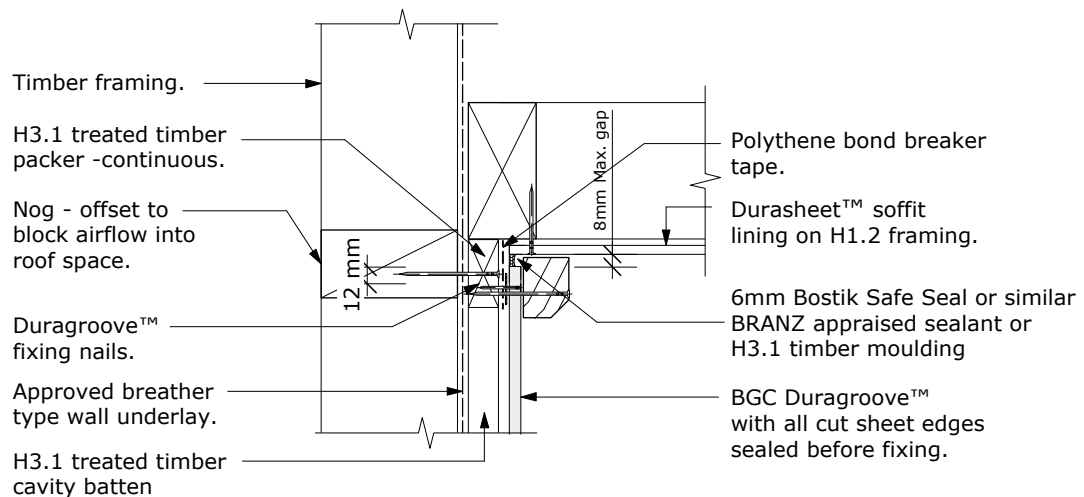
DETAIL **Soffit Detail - Direct Fix**

SCALE 1:5 @ A4

DETAIL NO. **D 22**

Cavity Batten Note:

Refer to cavity batten layout for batten sizes, types, spacings & fixings.



PROFILE **BGC Duragroove™**

DATE Nov 2011

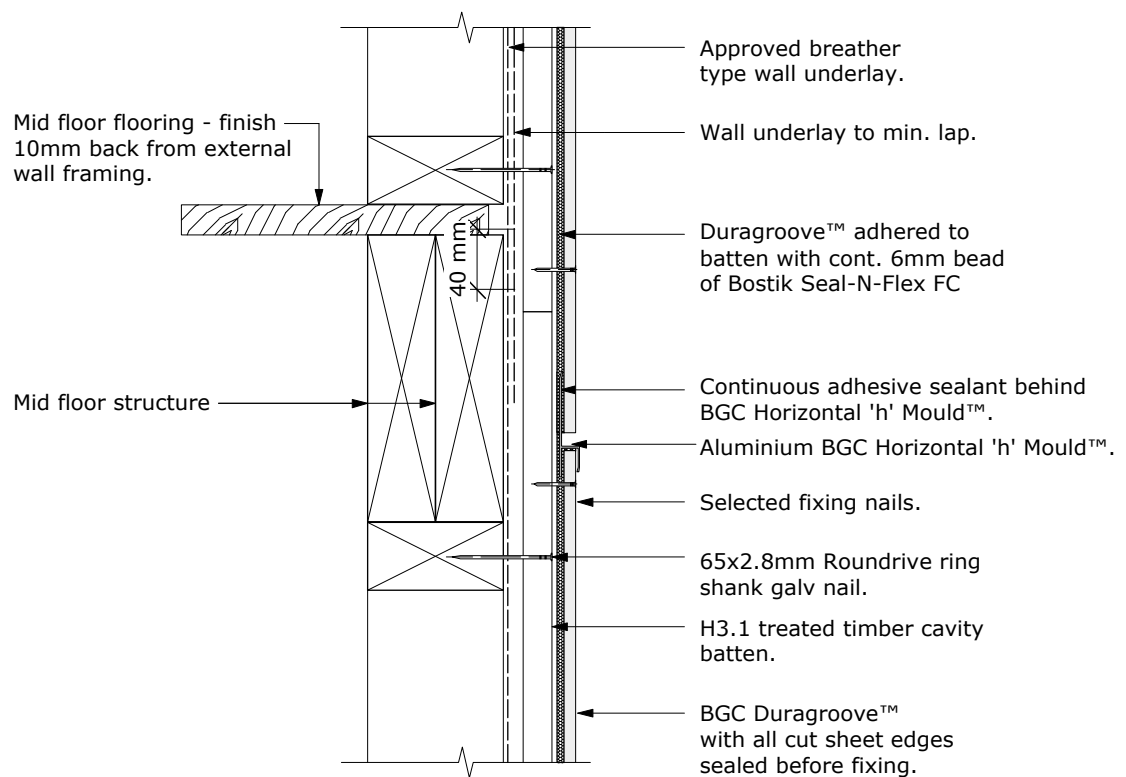
DETAIL **Soffit Detail - on Cavity**

SCALE 1:5 @ A4

DETAIL NO. **D 23**

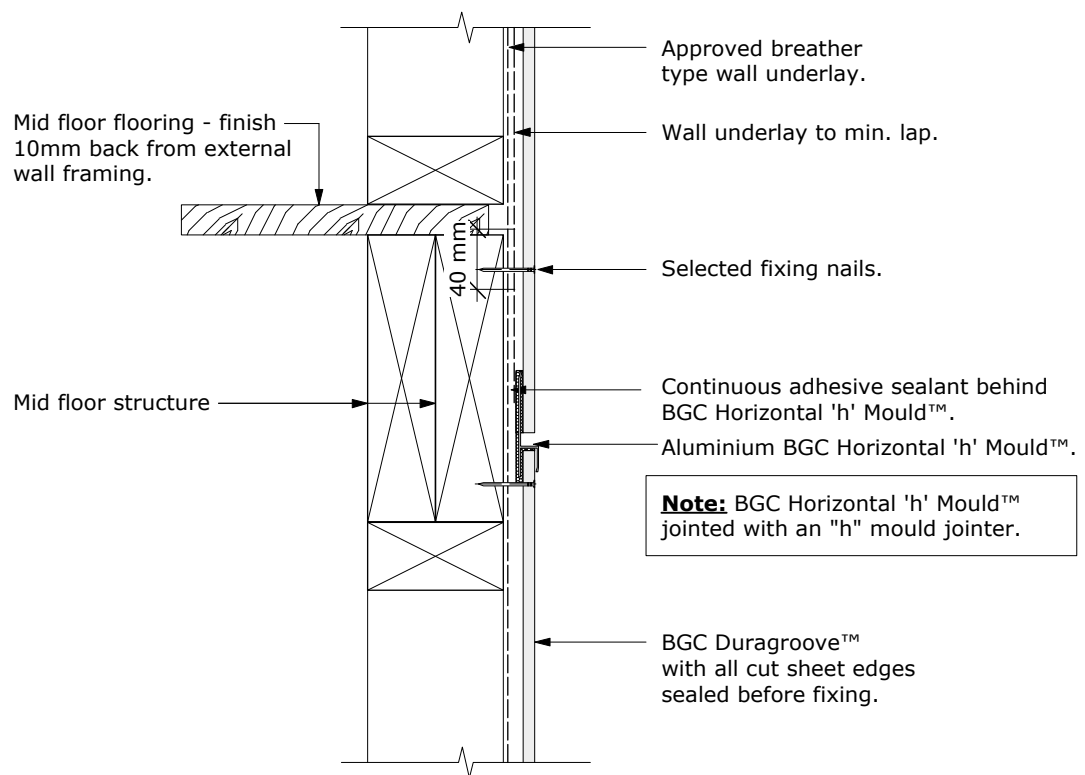
Cavity Batten Note:

Refer to cavity batten layout for batten sizes, types, spacings & fixings.

PROFILE **BGC Duragroove™**DATE **Nov 2011**DETAIL **Horizontal Joint on Cavity Detail**SCALE **1:5 @ A4**DETAIL NO. **D 24**

BGC

Fibre Cement



PROFILE BGC Duragroove™

DATE Nov 2011

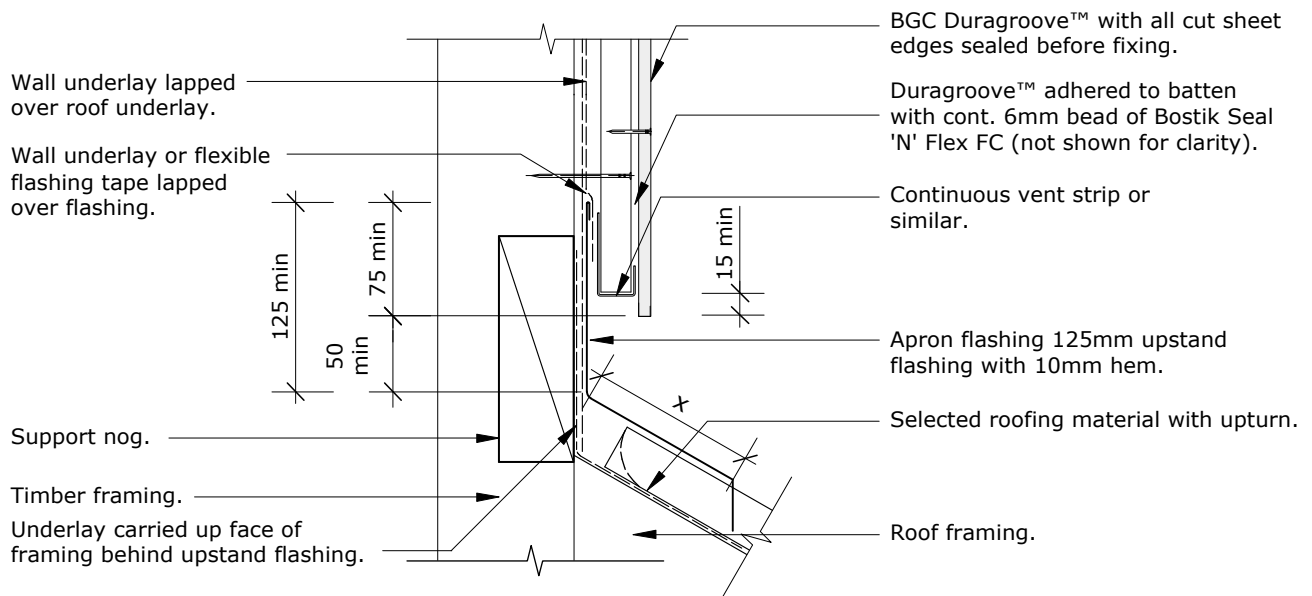
DETAIL Horizontal Joint Direct Fix Detail

SCALE 1:5 @ A4

DETAIL NO. D 25

Cavity Batten Note:

Refer to cavity batten layout for batten sizes, types, spacings & fixings.

**Note:**

X = Refer to NZBC E2 / AS1 Table 7 for flashing cover requirements.

PROFILE **BGC Duragroove™**

DETAIL **Apron Roof Flashing**

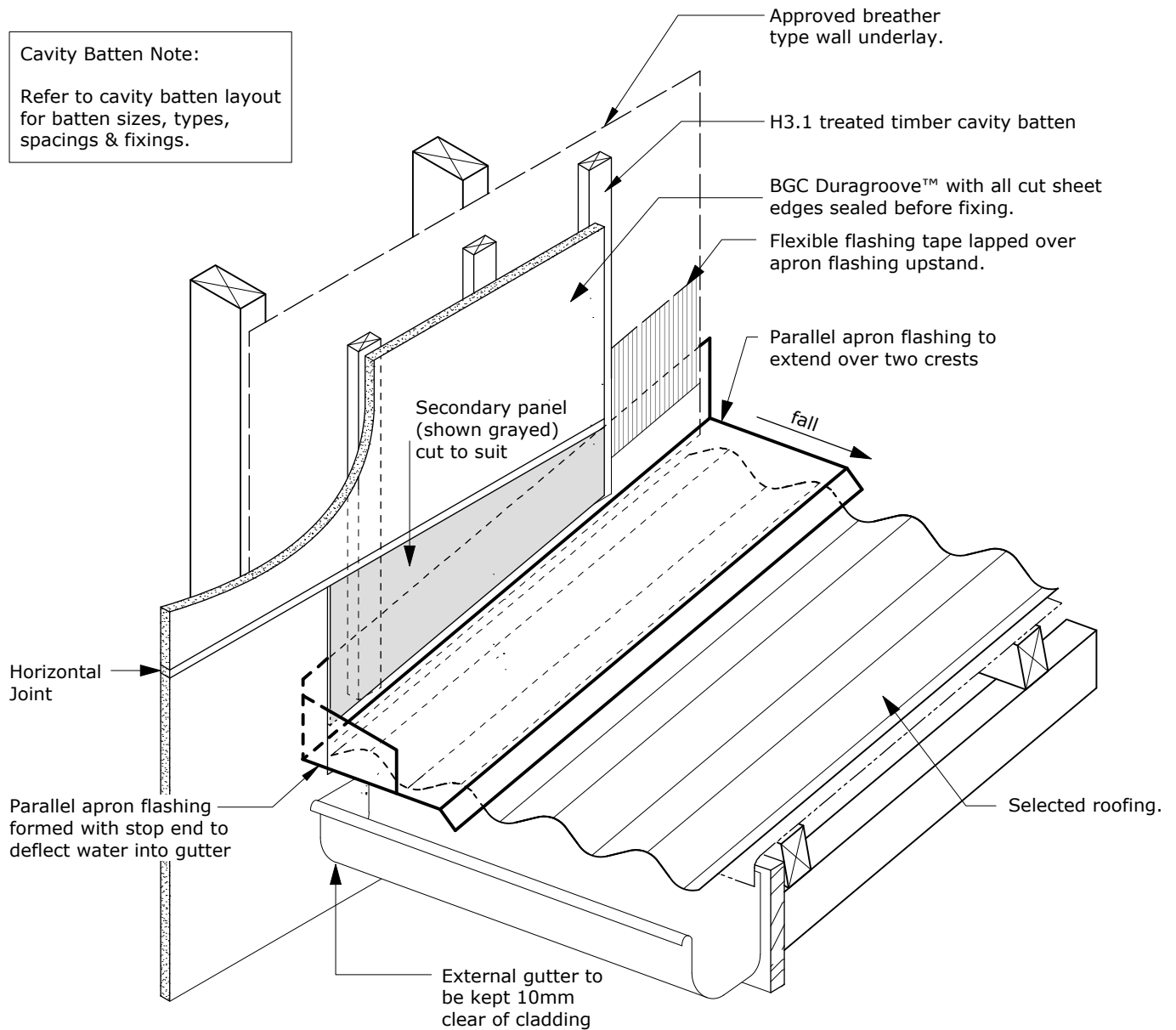
DATE **Nov 2011**

SCALE **1:5 @ A4**

DETAIL NO. **D 26**

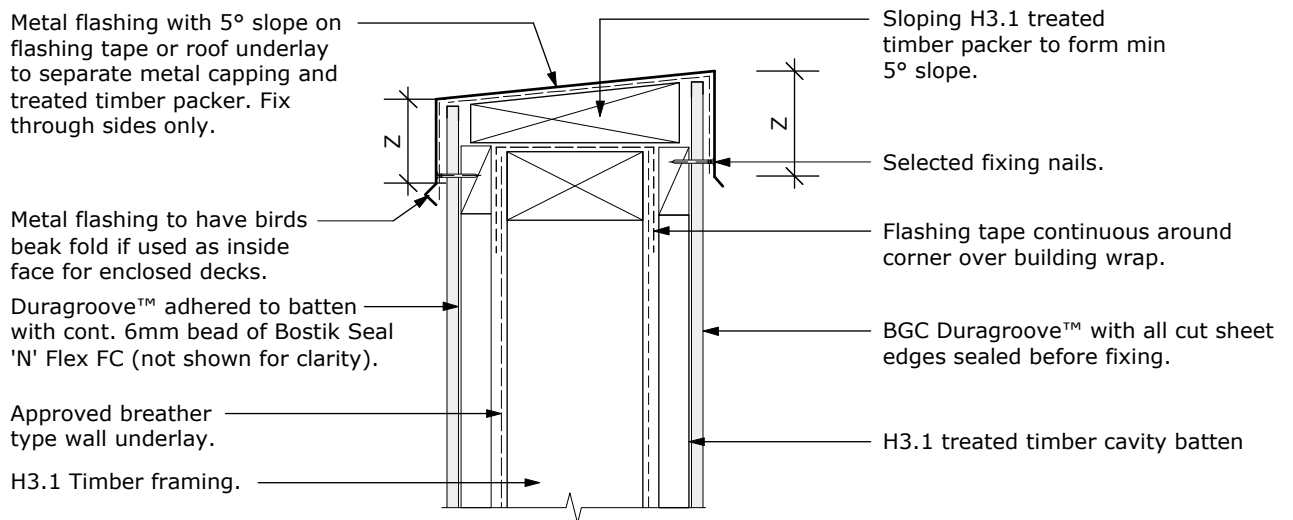
BGC**Fibre Cement****Cavity Batten Note:**

Refer to cavity batten layout for batten sizes, types, spacings & fixings.

PROFILE **BGC Duragroove™**DATE **Nov 2011**DETAIL **Gutter to Wall Detail**SCALE **1:5 @ A4**DETAIL NO. **D 27**

Cavity Batten Note:

Refer to cavity batten layout for batten sizes, types, spacings & fixings.

**Note:**

Z = Refer to NZBC E2 / AS1 Table 7 for flashing cover requirements.

PROFILE **BGC Duragroove™**

DETAIL **Parapet Flashing**

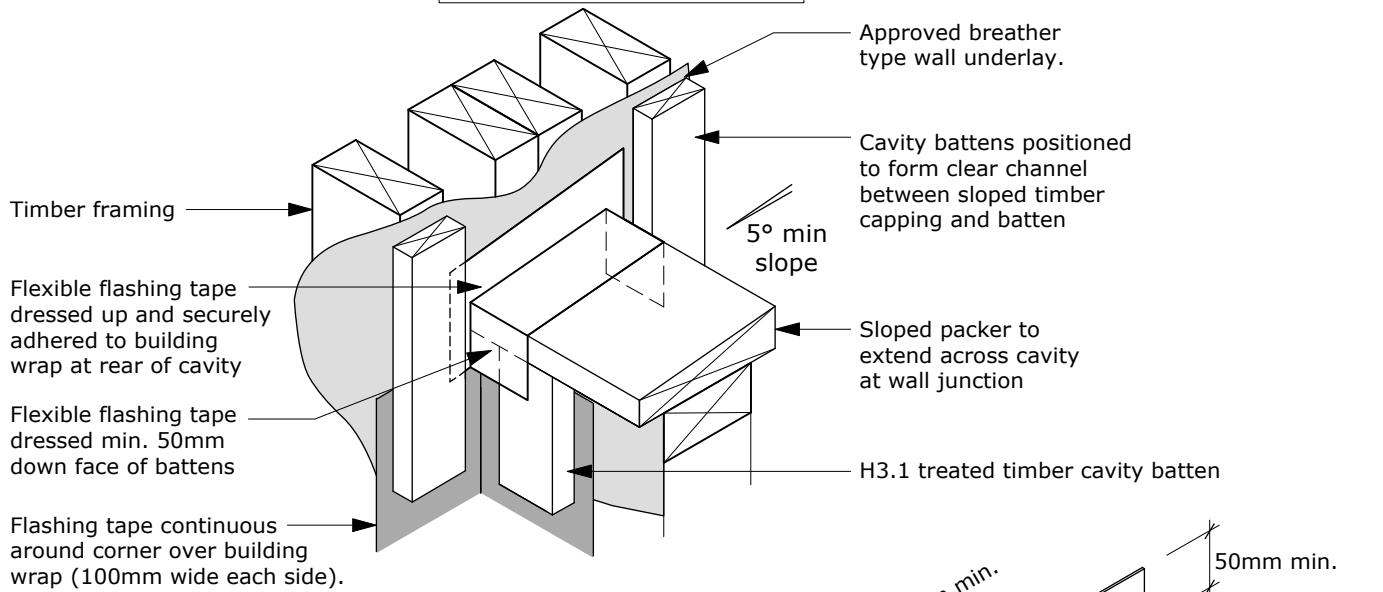
DATE **Nov 2011**

SCALE **1:5 @ A4**

DETAIL NO. **D 28**

BGC

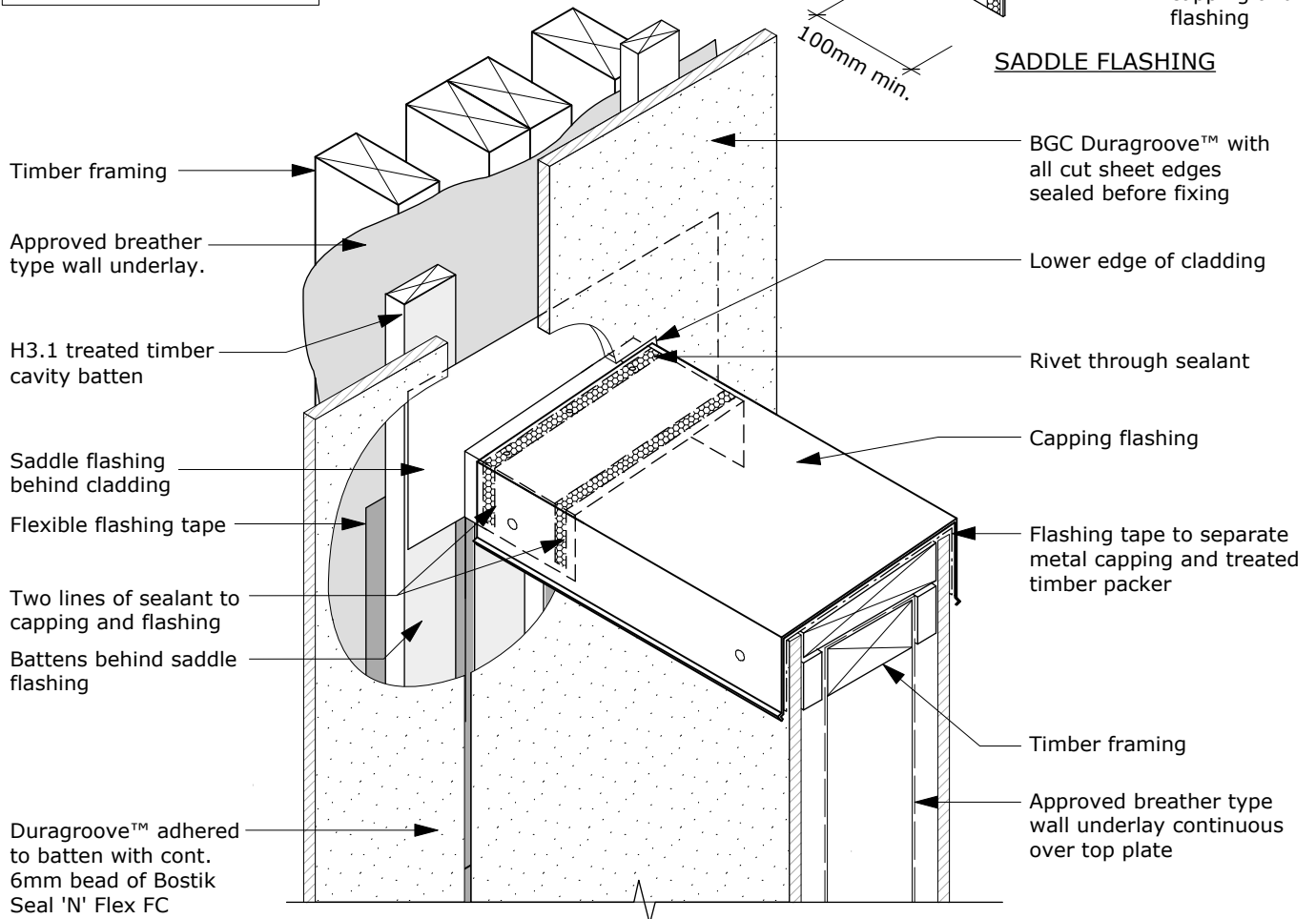
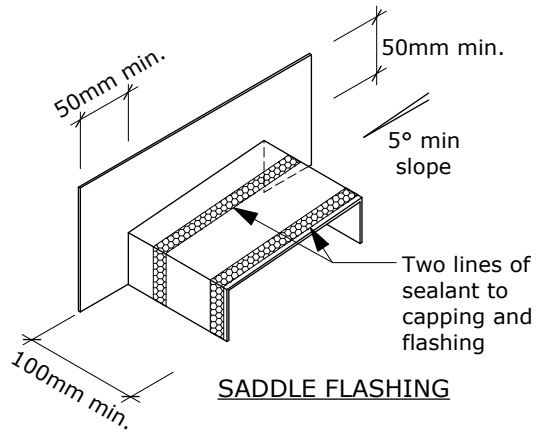
Fibre Cement



FLEXIBLE FLASHING INSTALLATION

Cavity Batten Note:

Refer to cavity batten layout for batten sizes, types, spacings & fixings.



PROFILE **BGC Duragroove™**

DATE Nov 2011

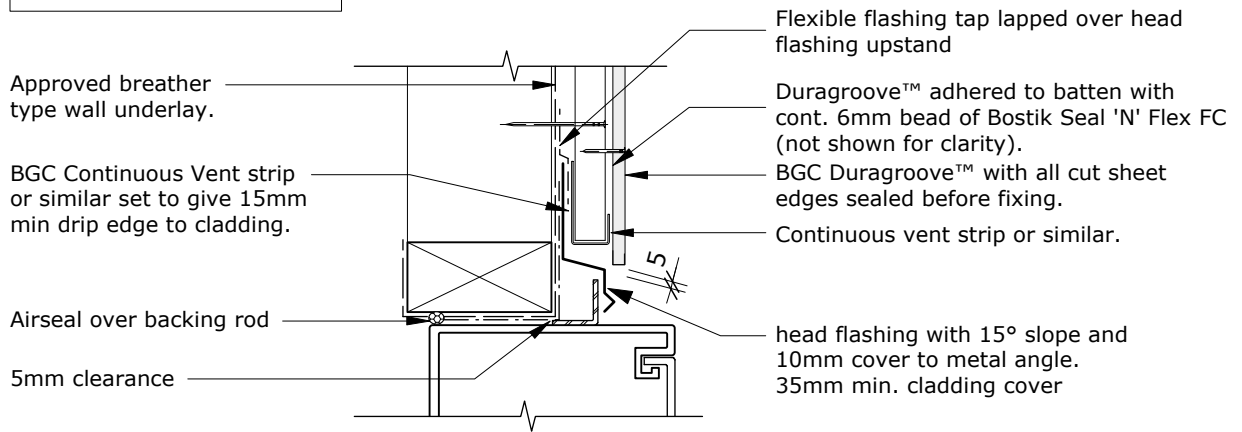
DETAIL **Balustrade to Wall Junction**

SCALE NTS

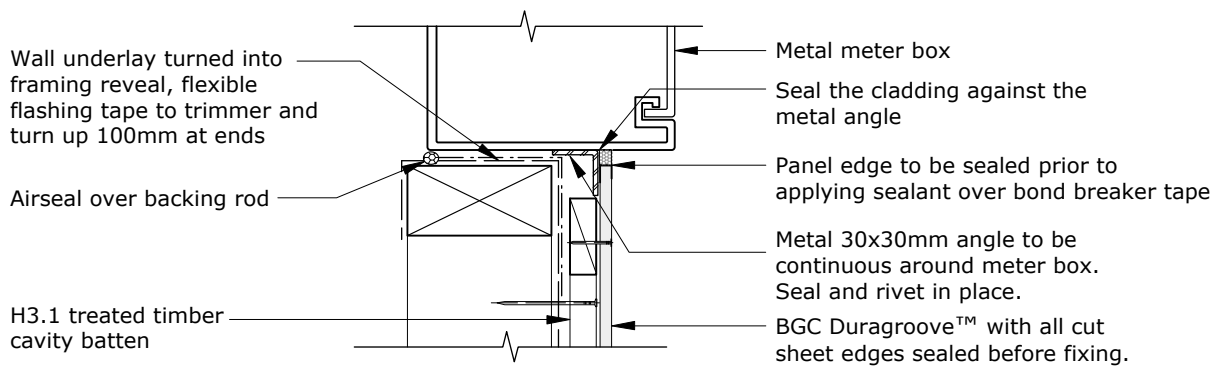
DETAIL NO. **D 29**

Cavity Batten Note:

Refer to cavity batten layout for batten sizes, types, spacings & fixings.



Head



Jamb/Sill

Note:

Jamb detail similar to sill with angle to give support to BGC Duragroove™

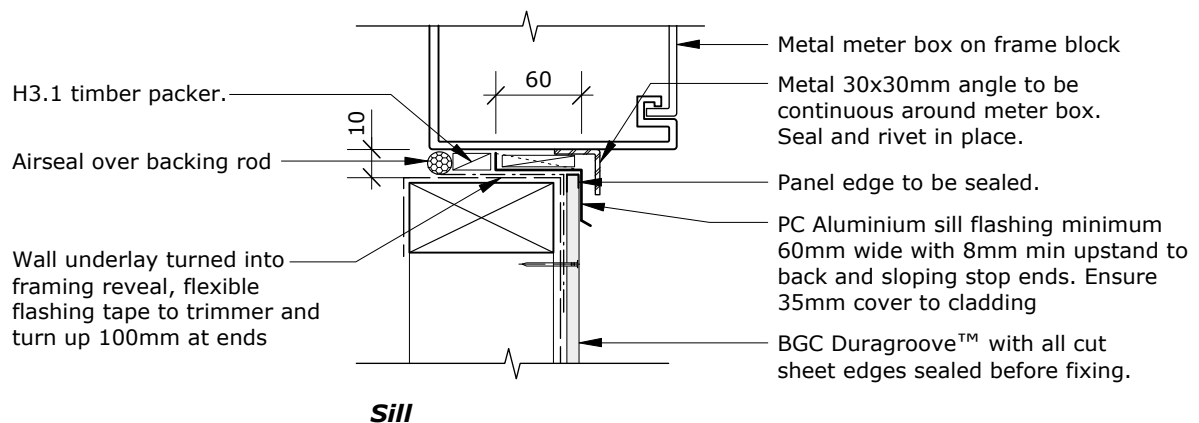
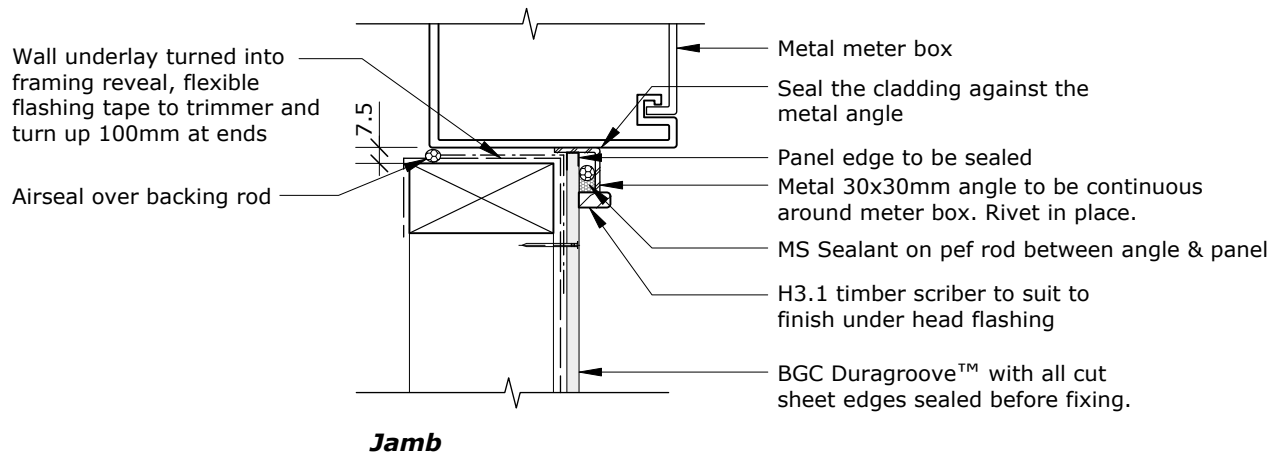
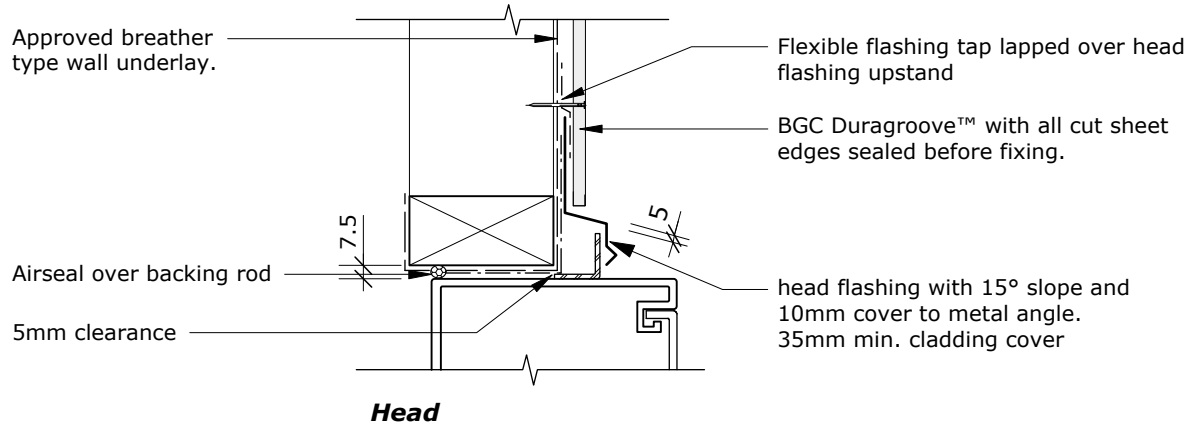
PROFILE **BGC Duragroove™**

DATE **Nov 2011**

DETAIL **Head/Jamb/Sill Meter Box on Cavity Details**

SCALE **1:5 @ A4**

DETAIL NO. **D 30**



PROFILE **BGC Duragroove™**

DATE Nov 2011

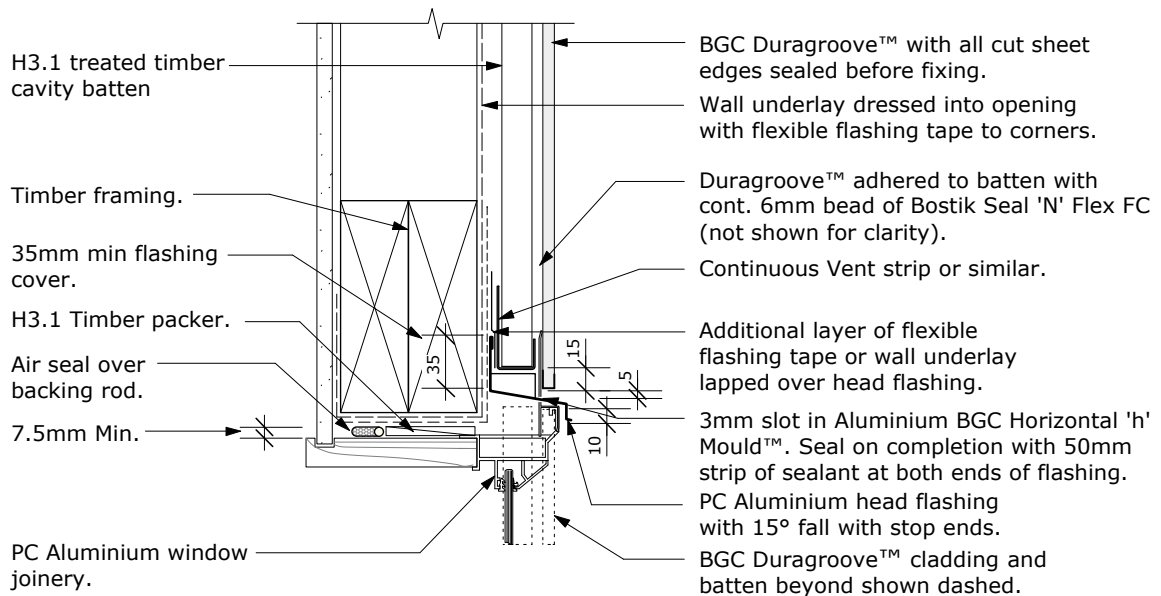
DETAIL **Head/Jamb/Sill Meter Box Direct Fix Details**

SCALE 1:5 @ A4

DETAIL NO. **D 31**

Cavity Batten Note:

Refer to cavity batten layout for batten sizes, types, spacings & fixings.



Note. Where Durabarrier™ is used flashing tape must be applied to the entire opening

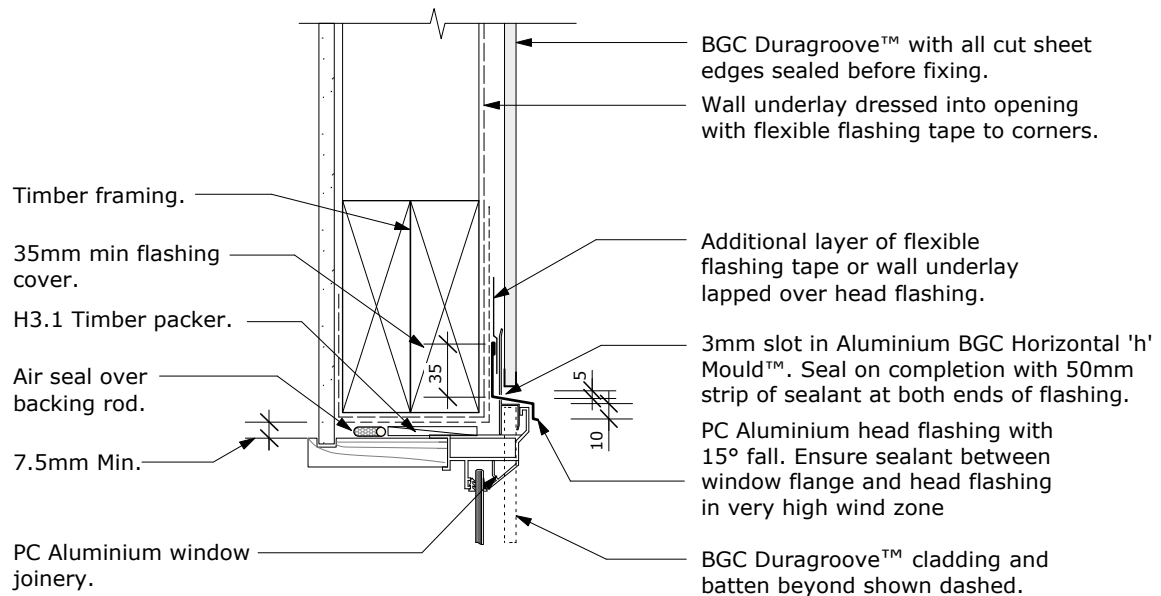
PROFILE **BGC Duragroove™**

DATE Nov 2011

DETAIL **Socket Joint Detail at Window Head on Cavity**

SCALE 1:5 @ A4

DETAIL NO. **D 32**



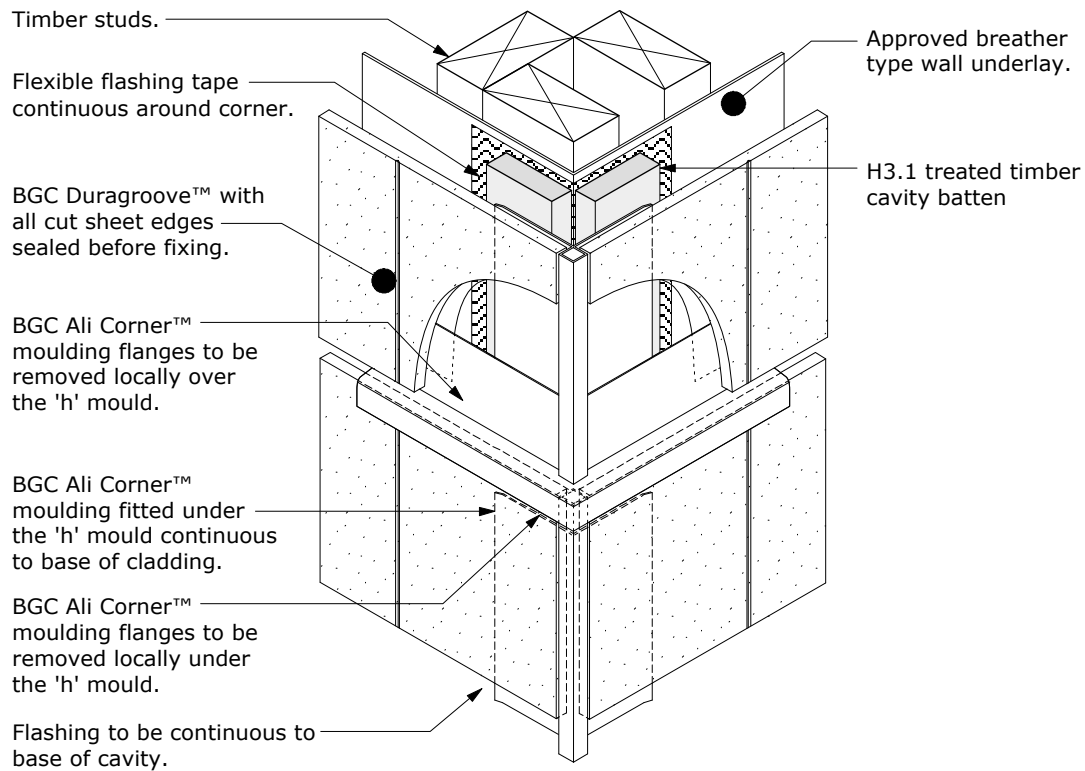
PROFILE **BGC Duragroove™**

DATE Nov 2011

DETAIL **Socket Joint Detail at Window Head Direct Fix**

SCALE 1:5 @ A4

DETAIL NO. **D 33**

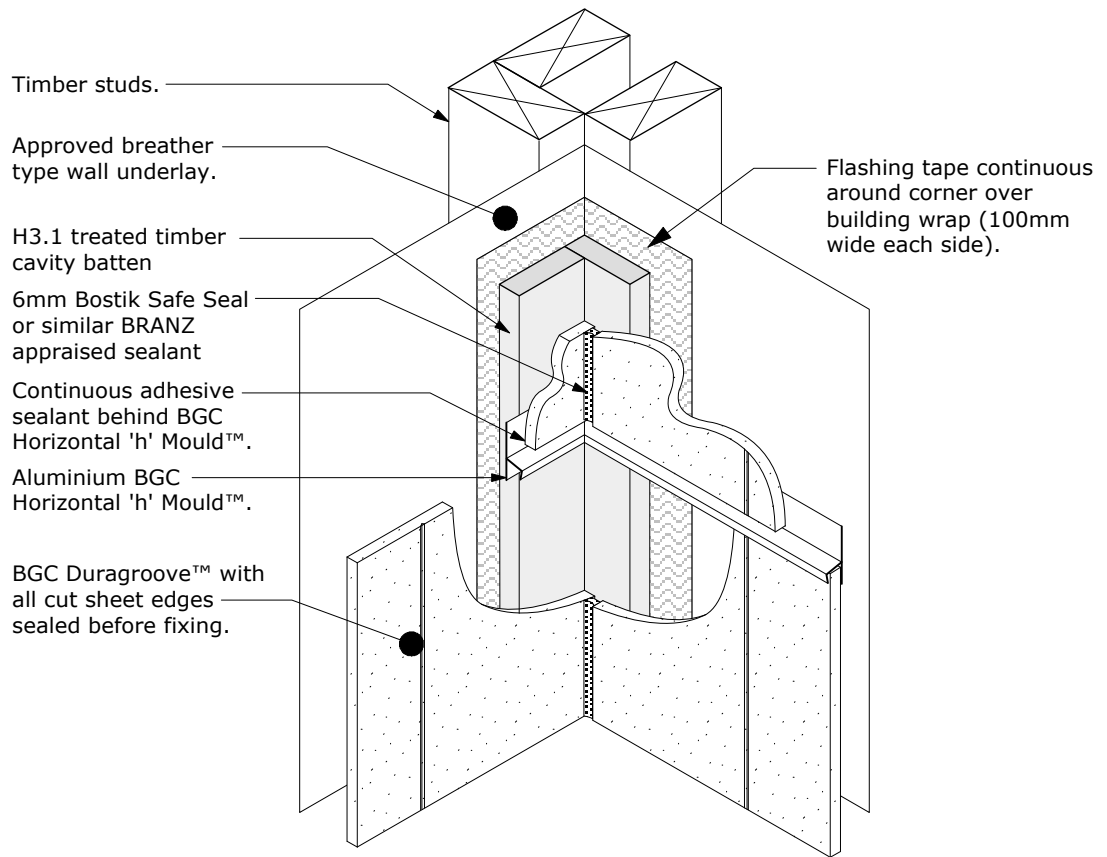
BGC**Fibre Cement**PROFILE **BGC Duragroove™**

DATE Nov 2011

DETAIL **Horizontal Joint / External
Corner Mould Junction Detail**

SCALE NTS @ A4

DETAIL NO. **D 34**

BGC**Fibre Cement**PROFILE **BGC Duragroove™**DATE Nov 2011
SCALE NTS @ A4DETAIL **Horizontal Joint / Internal
Corner Mould Junction Detail**DETAIL NO. **D 35**