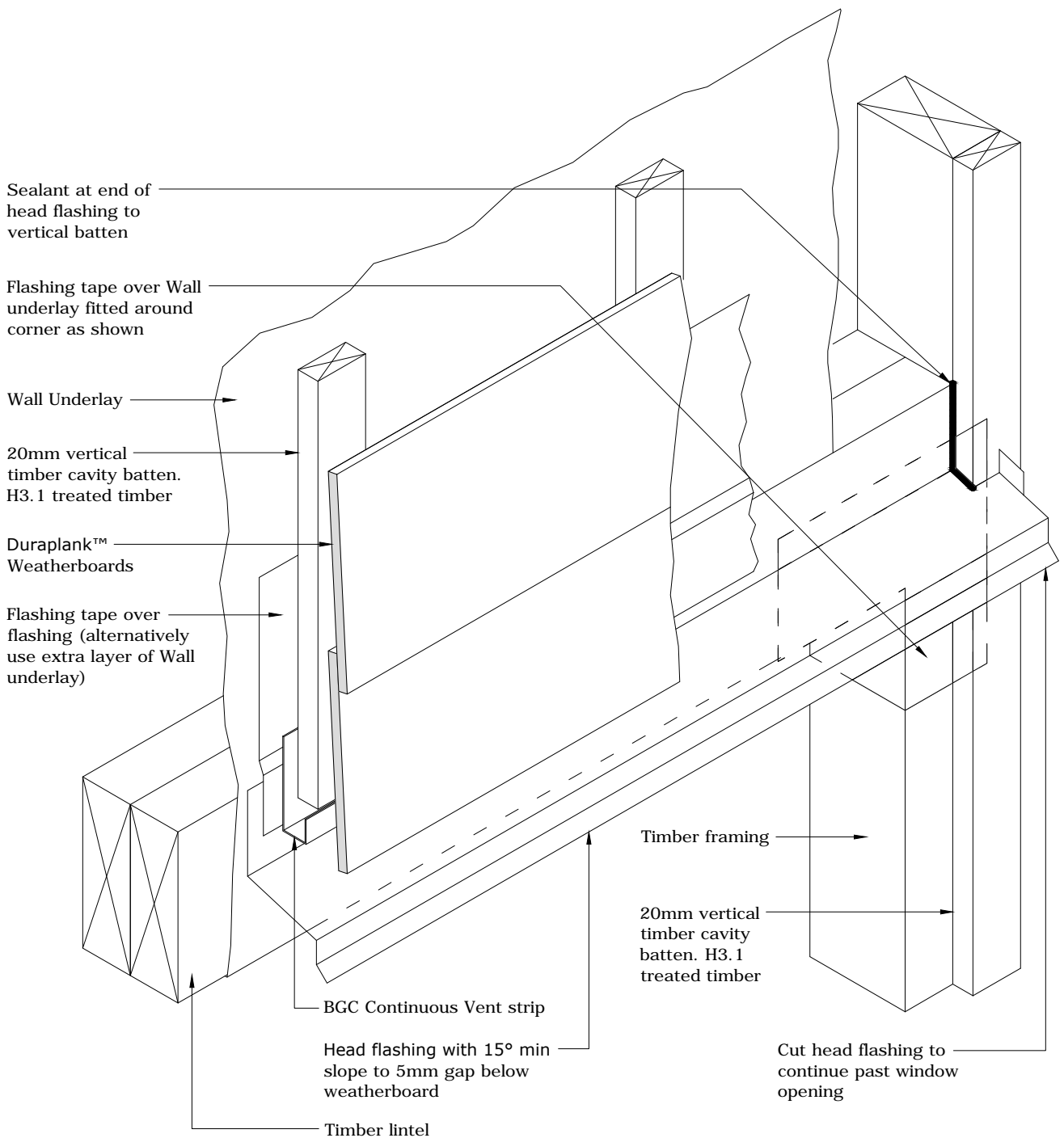


BGC



Fibre Cement



PROFILE

BGC Duraplank™ Weatherboards

DATE

May 2017

SCALE

1:5 @ A4

DETAIL

**Window Head/Jamb Junction Detail
Cavity Construction**

DETAIL NO.

DU-26