

BGC



Fibre Cement

Note: Accurate slot to be cut in weatherboard to enable fit around head flashing. Prevent water ingress at end of slot by sealing gap. Refer to detail DU-07

Flashing tape over Wall underlay fitted around corner as shown

Wall Underlay

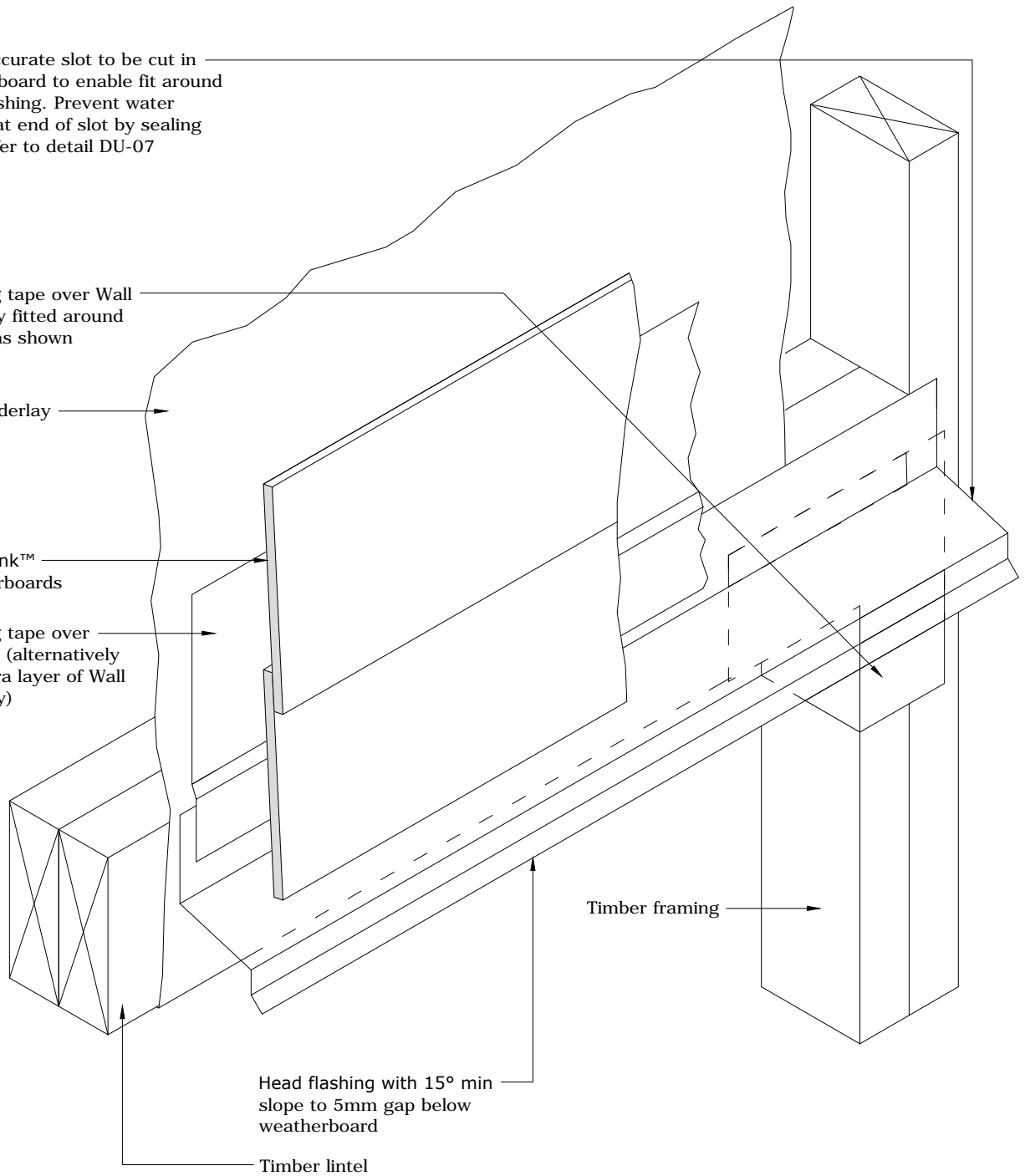
Duraplank™ Weatherboards

Flashing tape over flashing (alternatively use extra layer of Wall underlay)

Timber framing

Head flashing with 15° min slope to 5mm gap below weatherboard

Timber lintel



PROFILE BGC Duraplank™ Weatherboards

DATE May 2017

DETAIL Window Head/Jamb Junction Detail
Direct Fixed

SCALE 1:5 @ A4

DETAIL NO. DU-26D